

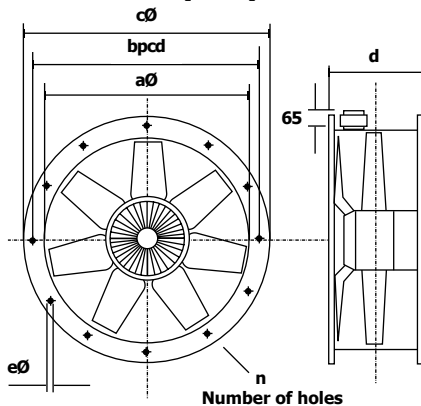
Monsoon Compact Cased Axial Fans

- Die cast aluminium blade & external rotor motor design
- Motors dynamically balanced to ISO 1940 & IP54 protected
- Motor insulation Class F
- Temperature operation -40° to +70°
- Thermal overload for motor protection
- Terminal box IP54 protection



CODE	DESCRIPTION
EF-25-WA	250mm (756m³/h) Single Phase 4 Pole
EF-31-2A	315mm (2,052m³/h) Single Phase 4 Pole
EF-35-2C	355mm (3,456m³/h) Single Phase 4 Pole
EF-40-4C	400mm (5,040m³/h) Single Phase 4 Pole
EF-45-4C	450mm (6,192m³/h) Single Phase 4 Pole
EF-50-4F	500mm (7,560m³/h) Single Phase 4 Pole
EF-56-6K	560mm (13,392m³/h) Single Phase 4 Pole
EF-63-6N	630mm (18,324m³/h) Single Phase 4 Pole
DF-31-2A	315mm (2,088m³/h) Three Phase 4 Pole
DF-35-2A	355mm (3,600m³/h) Three Phase 4 Pole
DF-40-2F	400mm (5,328m³/h) Three Phase 4 Pole
DF-45-4C	450mm (6,480m³/h) Three Phase 4 Pole
DF-50-4F	500mm (8,172m³/h) Three Phase 4 Pole
DF-56-6F	560mm (12,348m³/h) Three Phase 4 Pole
DF-63-6K	630mm (18,684m³/h) Three Phase 4 Pole
RFWG	Wire Guard sizes
RFMF	Mounting Feet x2: 250mm - 630mm sizes
RFCF	Coupling Flange: 250mm - 630mm sizes
RFAP	Ancillary Pack consists of mounted feet (x2), AV mounts, 2 coupling flanges, 2 flex connectors and 4 worm drive clips: 350mm - 630mm sizes

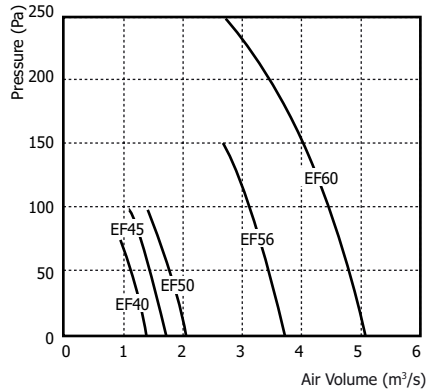
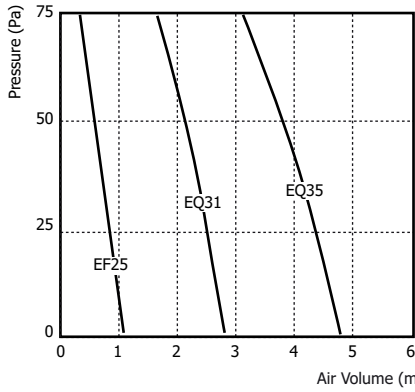
Dimensions (mm)



Dia	Øa	Øb	Øc	d	Øe	n	kg
250	254	286	306	110	7	8	5
315	316.5	356	382	135	9.5	8	6.1
355	356	395	421	135	9.5	8	7.1
400	400	438	466	155	9.5	12	8.1
450	451	487	515	160	9.5	12	13.4
500	503	541	567	166	9.5	12	15.7
560	559	605	635	210	11.5	16	20.1
630	634	674	707	220	11.5	16	44

Group B - Monsoon Commercial & Industrial Products

Performance Guide



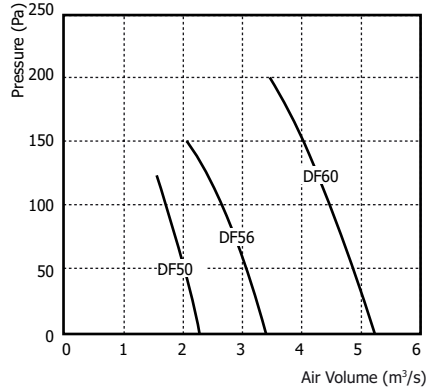
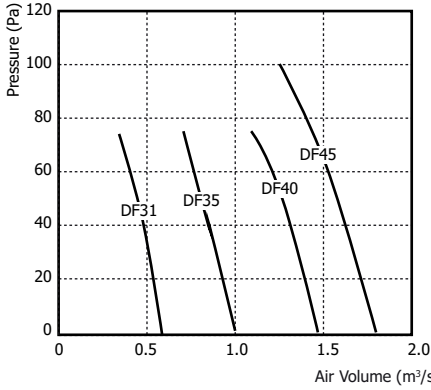
DIA.	MOTOR PHASE	CODE	POLES	R.P.M	IP RATING	MOTOR KW	S.C. AMPS	F.L.C AMPS	DB(A) @ 3M
250	1	EF-25	4	1340	IP44	0.04	0.3	0.16	44
315	1	EF-31	4	1300	IP54	0.15	1.38	0.7	50
355	1	EF-35	4	1330	IP54	0.19	1.45	0.84	53
400	1	EF-40	4	1350	IP54	0.29	2.4	1.45	56
450	1	EF-45	4	1370	IP54	0.36	3.6	1.6	61
500	1	EF-50	4	1290	IP54	0.51	4.3	2.3	55
560	1	EF-56	4	1320	IP54	1.4	9.3	6	63
630	1	EF-63	4	1320	IP54	2.2	28	9.9	70

Sound Power Level Spectra dB (ref 10⁻¹² Watts)

DIA.	MOTOR PHASE	CODE	POLES	SPECTRUM	63	125	250	500	1K	2K	4K	8K	DB(A) @ 3M
250	1	EF-25	4	Inlet	70	72	63	58	54	52	45	35	41
250	1	EF-25	4	Outlet	70	72	63	58	54	52	45	35	41
315	1	EF-31	4	Inlet	70	68	66	61	60	62	58	51	47
315	1	EF-31	4	Outlet	70	68	66	61	60	62	58	51	47
355	1	EF-35	4	Inlet	65	70	67	65	64	64	62	55	50
355	1	EF-35	4	Outlet	65	70	67	65	64	64	62	55	50
400	1	EF-40	4	Inlet	70	72	67	66	65	65	64	56	51
400	1	EF-40	4	Outlet	70	72	67	66	65	65	64	56	51
450	1	EF-45	4	Inlet	69	76	73	72	70	71	70	62	57
450	1	EF-45	4	Outlet	69	76	73	72	70	71	70	62	57
500	1	EF-50	4	Inlet	65	75	69	70	70	71	69	62	56
500	1	EF-50	4	Outlet	65	75	69	70	70	71	69	62	56
560	1	EF-56	4	Inlet	100	90	89	84	82	79	75	68	67
560	1	EF-56	4	Outlet	100	90	89	84	82	79	75	68	67
630	1	EF-63	4	Inlet	82	86	79	79	80	78	75	70	64
630	1	EF-63	4	Outlet	82	86	79	79	80	78	75	70	64

Group B - Monsoon Commercial & Industrial Products

Performance Guide



DIA.	MOTOR PHASE	CODE	POLES	R.P.M	IP RATING	MOTOR KW	S.C. AMPS	F.L.C AMPS	DB(A) @ 3M
315	3	DF-31	4	1390	IP54	0.11	2.1	0.27	46
355	3	DF-35	4	1370	IP54	0.17	1.35	0.37	49
400	3	DF-40	4	1350	IP54	0.26	2.1	0.56	51
450	3	DF-45	4	1380	IP54	0.36	2.6	0.8	56
500	3	DF-50	4	1380	IP54	0.55	4.2	1.05	58
560	3	DF-56	4	1220	IP54	1.25	7.7	2.2	70
630	3	DF-63	4	1360	IP54	1.9	14	3.2	64

For Fans wired to reverse run, duty reduced by 30%

Sound Power Level Spectra dB (ref 10⁻¹² Watts)

DIA.	MOTOR PHASE	CODE	POLES	SPECTRUM	63	125	250	500	1K	2K	4K	8K	DB(A) @ 3M
315	3	DF-31	4	Inlet	64	67	69	63	62	60	58	53	47
315	3	DF-31	4	Outlet	64	67	69	63	62	60	58	53	47
355	3	DF-35	4	Inlet	58	73	63	64	64	65	64	58	50
355	3	DF-35	4	Outlet	58	73	63	64	64	65	64	58	50
400	3	DF-40	4	Inlet	62	73	65	65	67	69	67	60	53
400	3	DF-40	4	Outlet	62	73	65	65	67	69	67	60	53
450	3	DF-45	4	Inlet	65	82	75	76	73	72	69	62	58
450	3	DF-45	4	Outlet	65	82	75	76	73	72	69	62	58
500	3	DF-50	4	Inlet	67	71	69	72	70	71	68	61	56
500	3	DF-50	4	Outlet	67	71	69	72	70	71	68	61	56
560	3	DF-56	4	Inlet	85	79	77	76	76	75	72	66	61
560	3	DF-56	4	Outlet	85	79	77	76	76	75	72	66	61
630	3	DF-63	4	Inlet	71	88	82	83	82	81	78	72	67
630	3	DF-63	4	Outlet	71	88	82	83	82	81	78	72	67