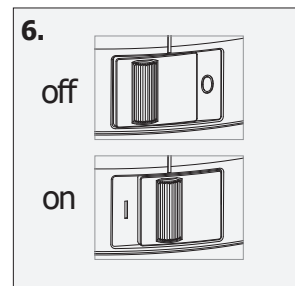
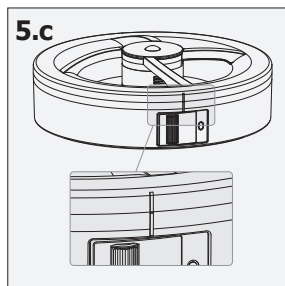
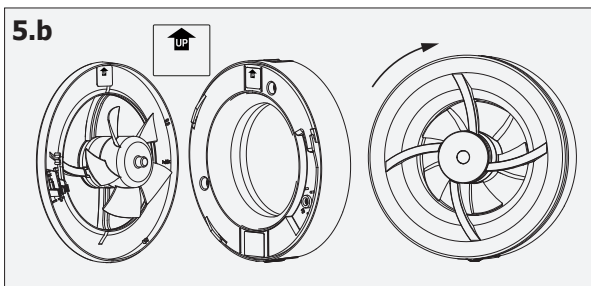
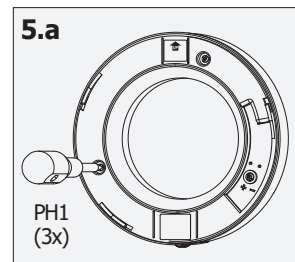
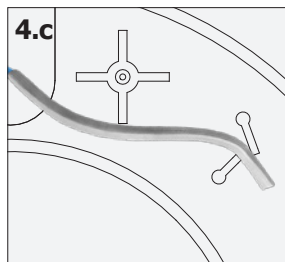
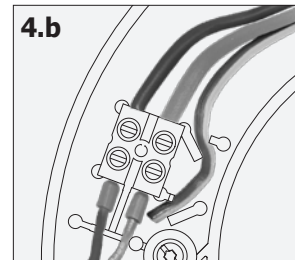
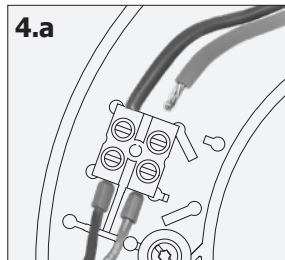
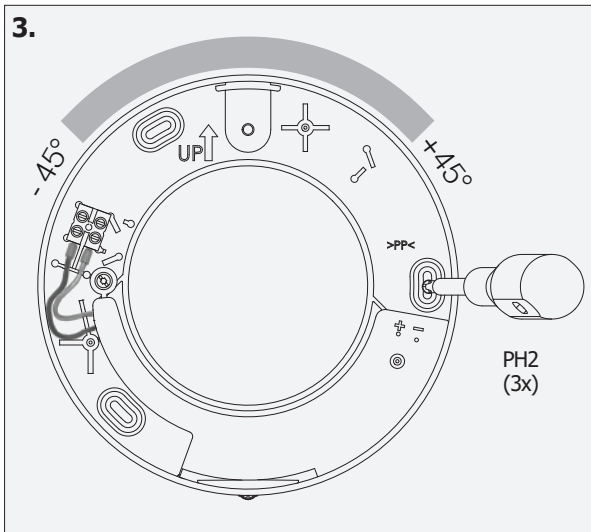
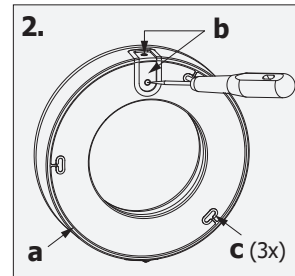
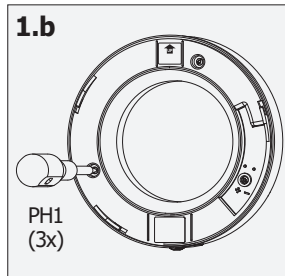
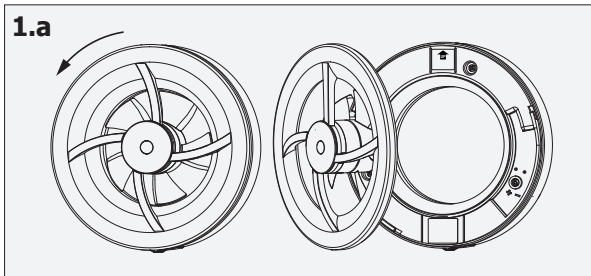
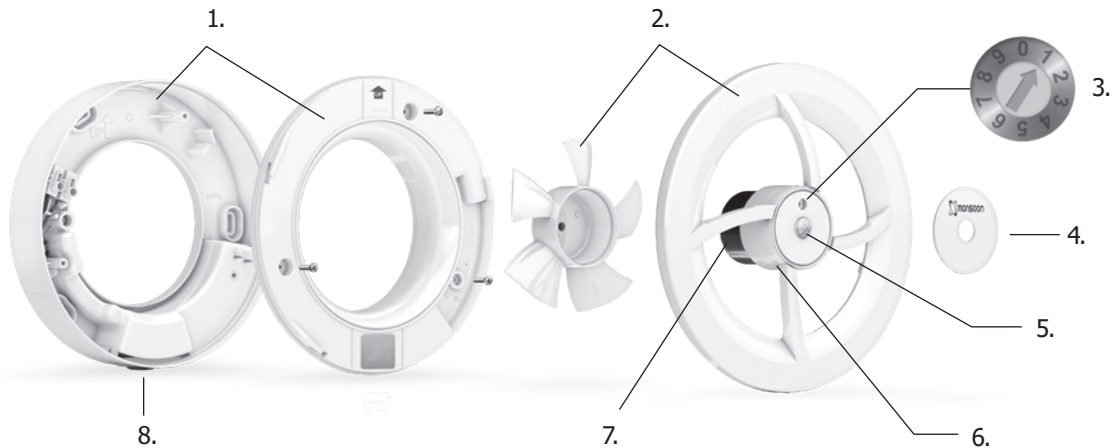




monsoon
IntelliSense i7

- 2 Mounting illustrations
- 3 Parts
- 4 - 7 User and Installation instructions





Parts

- 1. Wall frame with cover. With integrated sealing gaskets.
- 2. Motor unit with bayonet mount and removable impeller. Easy to clean.
- 3. Multi-mode selector.
- 4. Adjustable cover.
- 5. Presence sensor. Motion (IR) and light.
- 6. Self-adjusting humidity control. Thermostat
- 7. Self-calibrating motor guarantees correct flow.
- 8. Integrated multi-pole switch.

Package includes:

- 1 pc IntelliSense i7 bathroom fan.
- 1 pc Spigot.
- 3 pcs Screw PH2 for fixing the wall frame to the wall or ceiling.
- 1 pc Mini screwdriver (for changing modes).
- 1 pc User and installation instructions.

Important!

Read these instructions carefully before use.

The fan is designed for permanent installation and must be installed by a qualified electrician.

Under standard EN 60335, the following must be observed.

This appliance is to be used by persons from eight years upwards and by persons with reduced physical, sensory or mental capabilities, or lack of experience and knowledge, unless they have been given supervision or instruction in the safe use of the appliance and understand the risks involved. Children must be supervised not to play with the appliance. Cleaning and maintenance must not be carried out by unsupervised children. Precautions must be taken to avoid the back-flow of gasses into the room from the open flue of gas or other fuel-burning appliances (for duct and partition fans).

Thank you for choosing a quality product from Monsoon

We hope that you will be really satisfied with your new fan IntelliSense i7 for many years to come.

For your safety, each fan has been individually function-tested before leaving our production facility.

IntelliSense i7 - Seven fans in one

IntelliSense i7 is a multi-functional fan, which can be installed both as a bathroom fan or as an energy-saving heat transfer unit. With the multi mode selector it is easy to change between functions: Just lift the cover plate. Select mode. Done!

Bathroom Fan (six selectable ventilation solutions)

IntelliSense i7 has six selectable operating modes, for performing air extraction in all homes with natural ventilation. It has been designed and approved for installation in wet areas (IP44) such as WCs, bathrooms and utility rooms. For mounting on wall or ceiling (separate, well-insulated ventilation duct Ø 80 - 125 mm).

Heat Mover – save energy

IntelliSense i7 has an integral electronic thermostat allowing the fan to transfer surplus heat from, e.g. a fireplace, to an adjacent room. The fan can be mounted on a partition wall or between floors (wall/floor penetrations Ø100-125 mm) providing that building regulations are met. Use ducts and internal grilles.

Supply air

For good home ventilation you need to ensure that:

- air can enter the wet room by e.g. a larger door gap or an air transfer unit.
- fresh air enters the home through supply air vents in bedroom and living areas.

Installation See pictures on page 2, each instruction is relative to the alphanumeric naming system on images

1. Preparations

The motor unit has a bayonet mount that facilitates removal and reassembly during installation, change of function and cleaning.

- a) Lightly grasp the spokes and turn anti-clockwise. Lift the motor unit out of the wall frame.
- b) The wall frame cover is retained by 3 screws (PH1). Untighten them and remove the cover. The screws remain in their respective seals (do not need to be fully unscrewed).

2. Sealing gaskets

To avoid water penetrating the fan, the wall frame has several integrated sealing gaskets (If needed, use silicone sealant):

- a) on the rear, seal against the substrate.
- b) by the cable membrane.
- c) by the screw membrane, 3 in total.

Note: Seal any gaps between fan and ventilation duct.

3. Mounting the wall frame

The fan is surface mounted on exterior wall or ceiling. Suitable for Ø 100 mm duct (min Ø80– max Ø125).

- The cable membrane is situated in the top part of the wall frame. Electrical connection can either be performed from the rear (concealed) or from the top (external). Make a hole in the seal with a suitable sharp tool, see figure 2.
- Position the wall frame so that the cable membrane is uppermost +/- 45°.
- Screw the wall frame to the substrate (PH2 x3).

4. Electrical connection

NOTE! May only be carried out by qualified electrician. During any electrical work on the fan, the voltage supply must be disconnected.

The fan is designed for permanent installation at 230V AC, 50Hz. Double-insulated, requires no earth.

- a) Connect Live & Neutral into the terminal block.

If necessary, the unused Earth cable can be stored in two places:

- b) to the right of the terminal board.
- c) to the right of the cable bushing.

5. Reassemble wall frame cover and motor unit

- a) Reassemble the cover on the wall frame. Be sure that the two 12V pins are in the correct position (rating plate downwards, arrow upwards).

- b) Reassemble and lock the motor unit in the wall frame by turning it clockwise. To locate the correct position for the bayonet mount, the "UP" label on motor unit and wall frame should match.

The motor unit is correctly mounted, when the two lines by the multi-pole switch are lined up.

6. Activate the fan – Multi-pole switch

The fan comes with the multi-pole switch to position 0. The fan is activated by setting the switch to position 1.

According to the standard for domestic products, EN 60335-1, it must be possible to isolate such products from the electric power supply. This requirement is met with the built-in multi-pole switch (2-pole, 3 mm contact gap).

Description of operating modes

Continuous basic ventilation (basic airflow)

The fan operates at a constant low speed, 40 m³/h, creating a useful basic ventilation. IntelliSense i7 has a self-calibrating motor that prevents backdraughts.

Presence sensor – motion (IR) and light

The presence sensor is activated by motion (IR) or when the lighting is switched on. Over run time 15 minutes.

The fan switches to a medium speed, 60 m³/h, and depending on the choice of mode, it starts up:

- directly (mode 1, 2 and 6)
- after a 2.5 minute on-delay (mode 4)

Automatic humidity control

A self-adjusting humidity sensor continuously measures the humidity level in the room. The fan starts up automatically if the humidity level rises rapidly (e.g. in the case of a shower) or if the relative humidity (RH) exceeds 70%.

When the humidity level is restored, the fan returns to the basic flow or stops.

Depending on the choice of mode, the fan will operate at:

- High speed 95 m³/h (mode 1, 3, 4, 6, 8 and 9)
- Maximum speed 110 m³/h (mode 2)

Manual start and stop by use of a switch

The fan may be connected for manual start via a separate light/power switch. When the switch is turned on, the fan will start up and run at high speed, 95 m³/h. When the switch is turned off, the fan will stop.

Airing function

If the humidity control or presence sensor has not been active for 24 hours, the airing function will start up. The fan will operate at medium speed for 30 minutes every 12 hours.

Heat Mover, thermostat

The fan will start at 28°C and move the surplus heat to adjacent rooms. The fan turns off at 24°C. Airflow 95 m³/h.

Modes

IntelliSense i7 has seven selectable operating modes. The fan is set to Mode 1 at the factory, which means that it will automatically run at three speeds, see mode description below.

Changing the function

Lift the cover plate. Select the desired mode manually with a screwdriver. Ready to go!

It is possible to change mode even when the motor unit has been removed from the wall frame.



Modes for continuous basic ventilation

Mode 1 Fully automatic, three (3) speeds:

Basic flow - low speed 40 m³/h

Presence sensor - medium speed 60 m³/h

Humidity control - high speed 95 m³/h

Mode 2 As mode 1, but Humidity control at max speed 110 m³/h.

Mode 3 Fully automatic, two (2) speeds:

Basic flow - low speed 40 m³/h

Humidity control - high speed 95 m³/h

Modes for occasional ventilation needs

(Backdraught shutter optional)

Mode 4 Auto start at motion / light or rising humidity level.

Presence sensor - medium speed 60 m³/h

(fan starts after a 2.5 minute on-delay).

Humidity control - high speed 95 m³/h

Mode 5 Manual start/stop via switch. High speed 95 m³/h.

Mode 6 Presence sensor - medium speed 60 m³/h

Humidity control - high speed 95 m³/h

Airing function. Auto start if the fan been inactive for more than 24 hrs. Medium speed 30 min every 12 hrs.

Extra ventilation modes

Mode 8 As mode 3, but Basic flow at medium speed 60 m³/h

Mode 9 Only Humidity control, high speed 95 m³/h

Heat Mover

Mode 7 Heat mover unit, thermostat. High speed 95 m³/h

Mode 0 Not in use

Care and maintenance

To maintain its function and capacity, the fan must be cleaned at least twice a year, or more often if necessary. No solvents may be used on the fan. The fan must not be submerged in or flushed with water.

- Prior to cleaning: Turn off power to the fan with the integral multi-pole selector.
- Lift the motor unit out of the wall frame (see fig. 1a).
- Clean the opening, duct and motor unit with a damp cloth (if necessary a mild detergent may be used).
- The impeller may be cleaned as situated. It can also be released by pulling it straight out and then be washed and rinsed.
- Mount the motor unit in the wall frame (see fig. 5b).

Environment, recycling

The product and manufacturing complies with current international environmental regulations such as WEEE and RoHS directive.

The symbol on the product shows that this product must not be treated as household waste. It must be taken to a reception station for recycling of electric and electronic equipment. By ensuring the correct disposal of the equipment, you will contribute to preventing the negative consequences for the environment and health that incorrect handling may entail. For further information on recycling of this product, please contact your local authority, your waste disposal company or the company from which you purchased it.



Warranty

IntelliSense i7 has a 5 year warranty against fabrication / material defects. Warranty claims on this product are accepted in accordance with the applicable terms of sale, provided that a proof of purchase can be presented and that the fan:

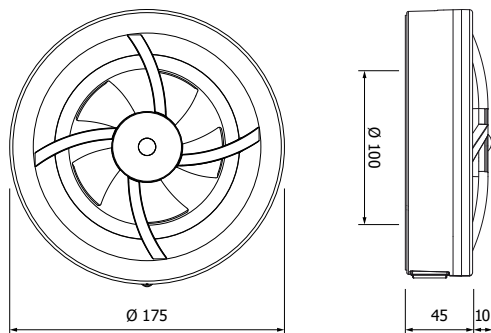
- is used in normal indoor environment and installed by a qualified electrician, acc. to instructions in this guide.
- have been maintained according to the instructions in this user and installation guide.
- has not undergone any external or internal damage, lightning or abnormal power spikes.
- is not used within industrial or other environments where the risk of exposure to solvents, high dust density, gases etc.

Technical data

Approved for wet rooms Zone 1.

Protection class IP44.

Full technical specifications available on nationalventilation.co.uk





Stathe Road, Burrowbridge, Somerset, TA7 0RY

Tel: 01823 690 290 Email: info@nvagroup.co.uk Web: www.nationalventilation.co.uk

EU Authorised Representative: National Ventilation Bedrijvenweg 17 7442 CX Nijverdal Nederland authorisedrep@nationalventilation.nl



© Copyright National Ventilation

We reserve the right for printing errors and reserve the right to material and design changes.