



Installation and Wiring Instructions

150mm AXIAL FAN REVERSIBLE



MONS150RE

**PLEASE READ INSTRUCTIONS IN CONJUNCTION WITH ILLUSTRATIONS.
PLEASE SAVE THESE INSTRUCTIONS.**

CE IP45

Installation and Wiring Instructions for the MONS150RE Reversible Fan.



IMPORTANT: READ THESE INSTRUCTIONS BEFORE COMMENCING THE INSTALLATION

DO NOT install this product in areas where the following may be present or occur:

- Excessive oil or a grease laden atmosphere.
- Corrosive or flammable gases, liquids or vapours.
- Ambient temperatures higher than 40°C or less than -5°C.
- Possible obstructions which would hinder the access or removal of the Fan.

SAFETY AND GUIDANCE NOTES

- A.** All wiring to be in accordance with the current I.E.E. Regulations, or the appropriate standards of your country and **MUST** be installed by a suitably qualified person.
- B.** The Fan should be provided with a local isolator switch capable of disconnecting all poles, having a contact separation of at least 3mm.
- C.** Ensure that the mains supply (Voltage, Frequency, and Phase) complies with the rating label.
- D.** The Fan should only be used in conjunction with the appropriate Monsoon products.
- E.** The Fan should only be used in conjunction with fixed wiring.
- F.** When the Fan is used to remove air from a room containing a fuel-burning appliance, ensure that the air replacement is adequate for both the fan and the fuel-burning appliance.
- G.** The Fan should not be used where it is liable to be subject to direct water spray for prolonged periods of time.
- H.** Where ducted Fans are used to handle moisture-laden air, a condensation trap should be fitted. Horizontal ducts should be arranged to slope slightly downwards away from the Fan.
- I.** This appliance is not intended for use by persons (including children) with reduced physical, sensory or mental capabilities, or lack of experience and knowledge, unless they have been given supervision or instruction concerning use of the appliance by a person responsible for their safety.
- J.** Children should be supervised to ensure that they do not play with the appliance.

- K.** Stationary appliances not fitted with means for disconnection from the supply mains having a contact separation in all poles that provide full disconnection under over voltage category III, the instructions state that means for disconnection must be incorporated in the fixed wiring in accordance with the wiring rules.
- L.** Ensure the grille is fully engaged onto the fan chassis using all clips.

DESCRIPTION

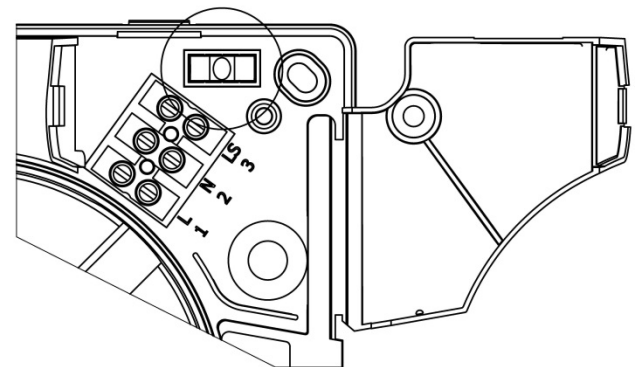
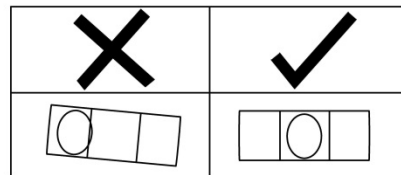
MONS150RE axial extract/intake fan is suitable for domestic kitchens and utility rooms. They are available as wall or panel mounted model and can be used in conjunction with Reversible speed controller MON-RSCON supplied separately.

INSTALLATION

IMPORTANT: The fan should only be used in conjunction with fixed wiring.

PANEL MOUNTING

- For panel mounting the fan should be installed into a duct protected by an exterior air grille that must comply with the standard requirements of your country to prevent access to the fan's impeller.
- Cut a 155mm diameter hole for 150mm fans.
- Push the two clips on the left and righthand side of the fan and pull the grille away from the chassis.
- Using the built in spirit level bubble as an aid, mark the screw centres through the holes in the fan back plate. Drill, plug and screw into position.
- After installation, ensure impeller rotates freely and the shutters can open.
- Replace the grille and ensure the clips engaged.



Open up the internal cover to access the spirit level bubble and terminals

WALL MOUNTING

- For wall mounting cut a 170mm diameter hole for 150mm fans, through the wall and insert the wall sleeve. Slope the sleeve slightly downwards away from the fan. Cut to length and cement both ends into position flush with the wall faces.
- Push the two clips on the left and righthand side of the fan and pull the grille away from the chassis.
- Using the built in spirit level bubble as an aid, mark the screw centres through the holes in the fan back plate. Drill, plug and screw into position. Fix exterior grille into position with the louvres positioned downwards. (Note:- The grille must comply with the standard requirements of your country to prevent access to the fan's impeller. The wall kit used in this installation should provide a minimum ducting length of 100mm from the fans back plate to the inside of the external grille).
- After installation, ensure impeller rotates freely and the shutters can open.
- Replace the grille and ensure the clips engaged.

WIRING & SETUP



WARNING: THE FAN AND ANCILLARY CONTROL EQUIPMENT MUST BE ISOLATED FROM THE POWER SUPPLY DURING THE INSTALLATION / OR MAINTENANCE.

IMPORTANT

- The fan should only be used in conjunction with fixed wiring.
- The cross - sectional area of supply cord used should be ranged from 1 -1.5mm².
- Cable entry can only be made from the rear of the fan.
- The fan is suitable for connection to 220-240V 50Hz supply.
- The fan is a class II double insulated product and **MUST NOT** be earthed.

1. Select and follow the appropriate wiring diagram. (Fig. 1,2 3 or 4)
2. Check all connections have been made correctly and securely fastened.
3. Ensure the impeller rotates and is free from obstructions.

SERVICING AND MAINTENANCE



WARNING: THE FAN AND ANCILLARY CONTROL EQUIPMENT MUST BE ISOLATED FROM THE POWER SUPPLY DURING MAINTENANCE.

1. At intervals appropriate to the installation, the fan should be inspected and cleaned to ensure there is no build up of dirt or other deposits.
2. Wipe the inlets and front face with a damp cloth until clean.

The fan has sealed for life bearings, which do not require lubrication.

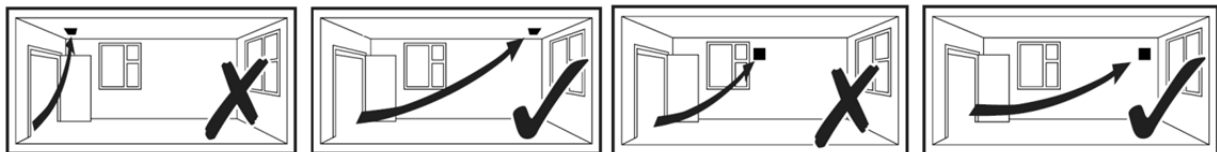


Fig.1: MONS150RE Wired as Extract fan only

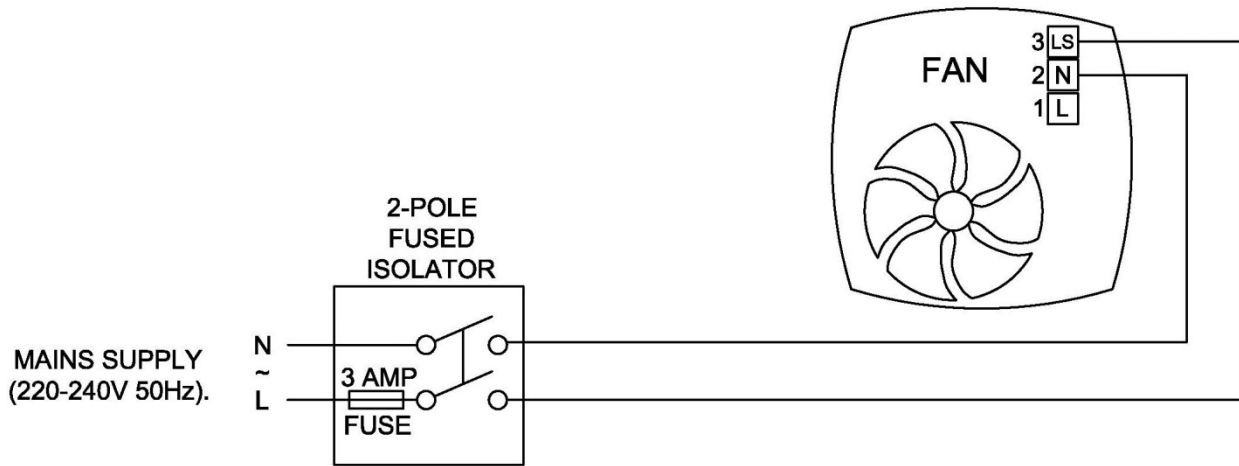


Fig.2: MONS150RE Wired as Intake fan only

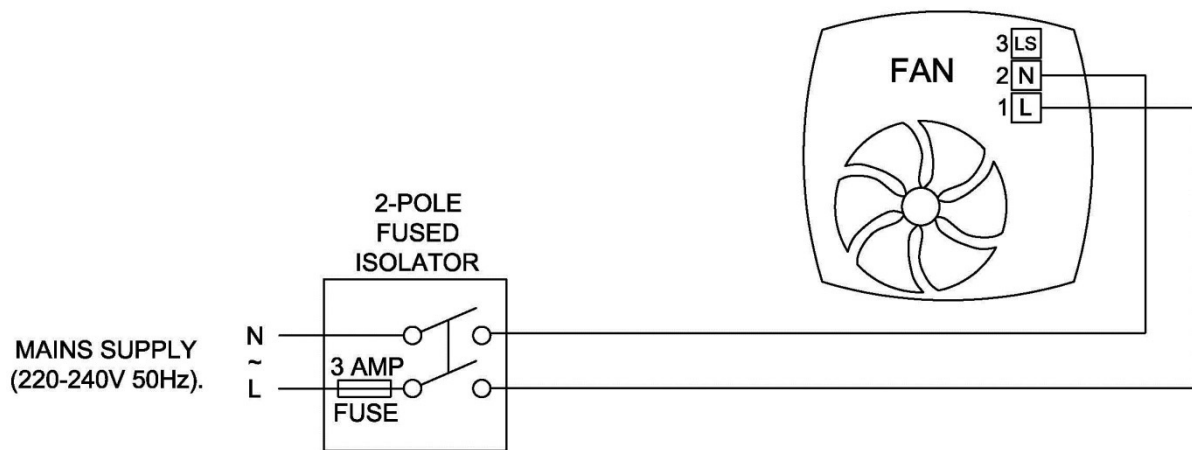


Fig.3: Wired with External Extract / Intake fan controller.

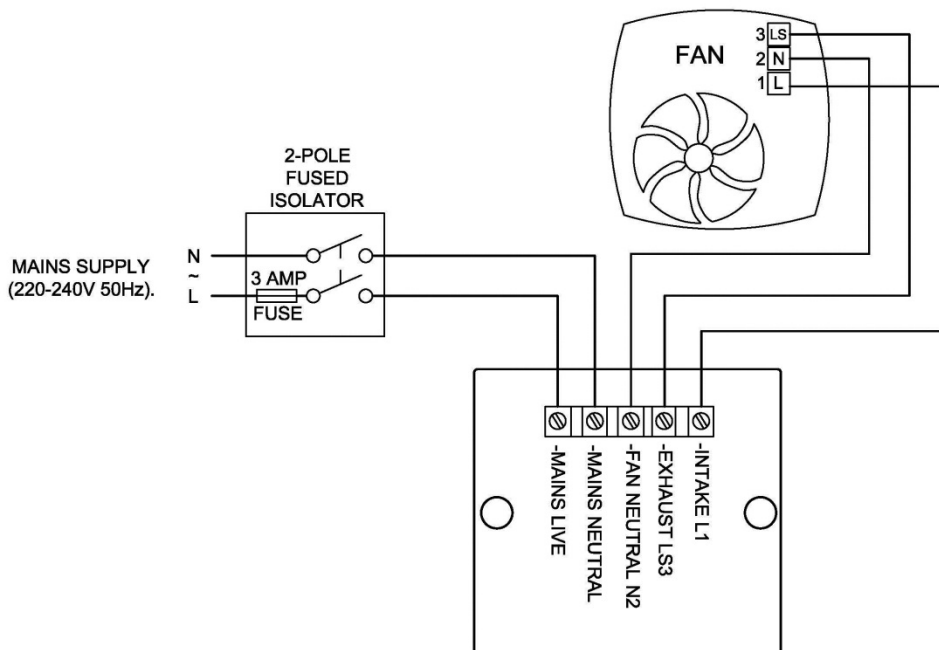
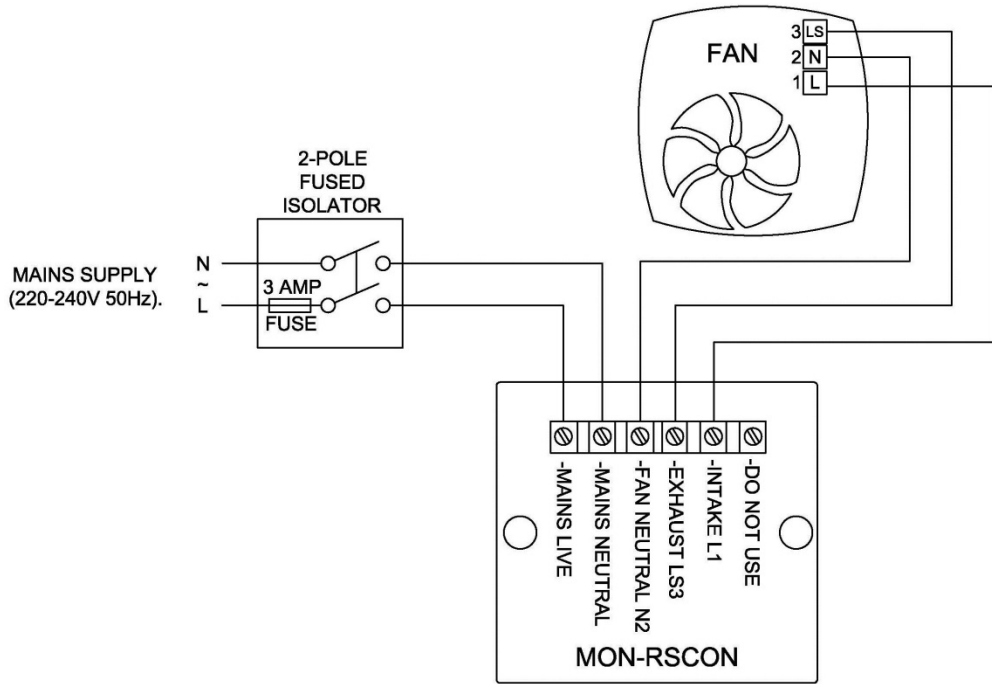


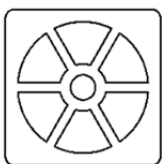
Fig.4: MONS150RE Wired with External fan control using additional accessory MON-RSCON – Reversible speed controller.





Disposal

This product should not be disposed of with household waste. Please recycle where facilities exist. Check with your local authority for recycling advice



**NATIONAL
VENTILATION**



National Ventilation
Stathe Road
Burrowbridge
Somerset
TA7 0RY

Website: www.nationalventilation.co.uk
email: info@nvagroup.co.uk
Sales and technical hotline: 01823 690290