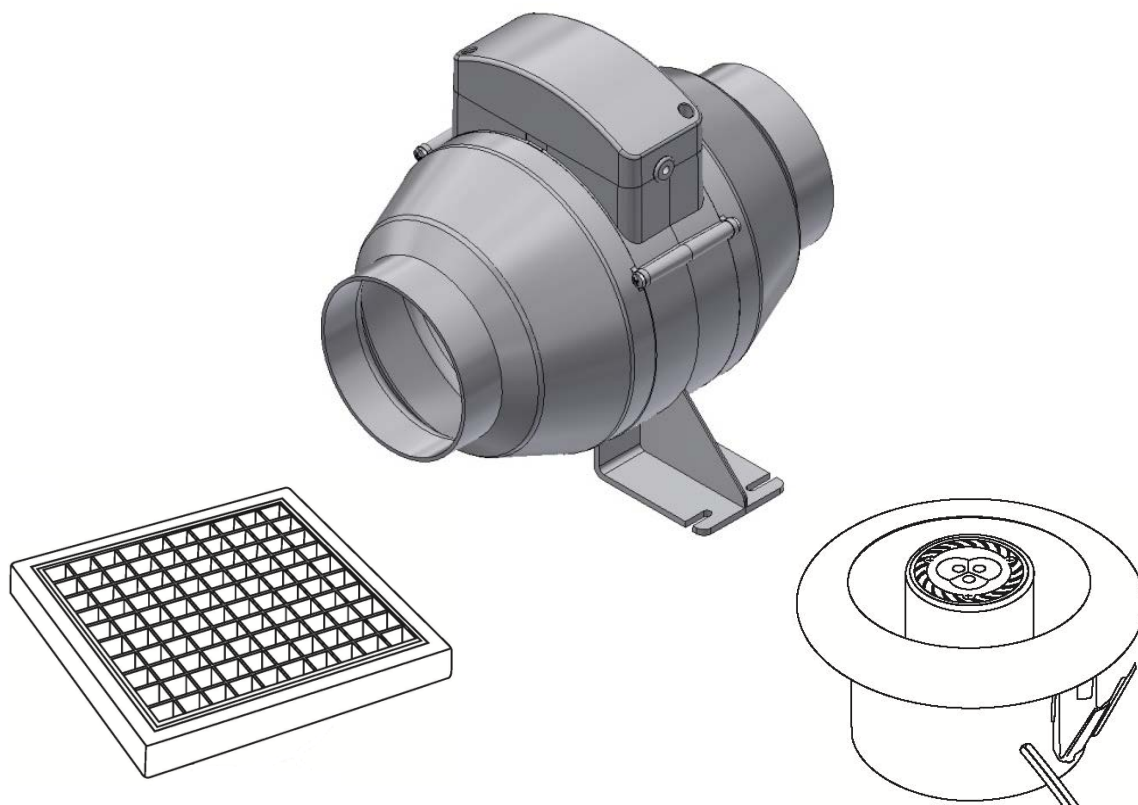




Installation and Wiring Instructions



UMD Timer Shower Fan Kit Turbo Range with LED Light

UMDTKLED-W
UMDTKLED-CH

220-240V~50Hz

PLEASE READ INSTRUCTIONS IN CONJUNCTION WITH THE ILLUSTRATIONS.
PLEASE SAVE THESE INSTRUCTIONS

IPX4
CE



Installation and Wiring Instructions for the UMD IN-LINE FAN range.

IMPORTANT: READ THESE INSTRUCTIONS
BEFORE COMMENCING THE INSTALLATION

DO NOT install this product in areas where the following may be present or occur:

- Excessive oil or a grease laden atmosphere.
- Corrosive or flammable gases, liquids or vapours.
- Ambient temperatures higher than 40°C or less than –5°C.
- Possible obstructions which would hinder the access or removal of the Fan.
- Sudden ductwork bends or transformations close to the Fan.

SAFETY AND GUIDANCE NOTES

- A.** All wiring to be in accordance with the current I.E.E. Regulations, or the appropriate standards of your country and **MUST** be installed by a suitably qualified person.
- B.** The Fan should be provided with a local double pole isolator switch having a contact separation of at least 3mm.
- C.** Ensure that the mains supply (Voltage, Frequency, and Phase) complies with the rating label.
- D.** The Fan should only be used in conjunction with the appropriate products.
- E.** It is recommended that the connection to the fan connector terminals is made with flexible cable.
- F.** When the Fan is used to remove air from a room containing a fuel-burning appliance, precautions must be taken to avoid back-flow of gases into the room from the open flue of gas or other appliance. Ensure that the air replacement is adequate for both the fan and the fuel-burning appliance.
- G.** The Fan should not be used where it is liable to be subject to direct water spray for prolonged periods of time.
- H.** Where ducted Fans are used to handle moisture-laden air, a condensation trap should be fitted. Horizontal ducts should be arranged to slope slightly downwards away from the Fan.

- I. This appliance is not intended for use by persons (including children) with reduced physical, sensory or mental capabilities, or lack of experience and knowledge, unless they have been given supervision or instruction concerning use of the appliance by a person responsible for their safety.
- J. Young children should be supervised to ensure that they do not play with the appliance.

INSTALLATION

The unit is designed as an in-line duct fan to be positioned between lengths of ducting. Short duct runs terminating close to the fan (i.e. within 1.5m) must incorporate suitable guards unless the fan is mounted higher than 2.1m above the floor. If flexible ducting is used it should be fully extended to obtain the best results. Position the fan at the highest point on the system with both ducting runs sloping downwards from this point. The airflow direction is indicated on the rating label with an arrow pointing in the direction of the airflow. In circumstances where an excessive amount of moisture is present in the air then a condensation trap should be installed. When siting the appliance, ensure that there is sufficient space to allow access for any servicing and maintenance. Use the mounting holes to securely fix the unit to a surface.

LOCATION

1. When installing this fan's ducting through an external wall, an external wall grille must be fitted at all times.
2. This fan should be fitted to ducting with a minimum duct length of at least 500 millimeters both sides of the fan.
3. Where ducted fans are used to handle moisture- laden air, such as a bathroom, a condensation trap should be fitted in any vertical exhaust ducts.
4. When using flexible ducting, ensure it is pulled taut. All ducting should be angled towards the external grille.
5. Ducting passing through cold voids should be insulated.
6. If the fan and duct extract grille is installed in a room containing a fuel burning appliance, the installer must ensure that the air replacement is adequate for both the fan and the fuel burning appliance.

WIRING

1. Switch off mains supply before making electrical connections. If in any doubt contact a qualified electrician.
2. All wiring must be fixed securely and the cable to the fan should be a minimum of 1mm² in section. All wiring must comply with current I.E.E. Regulations or local regulations if outside the UK.
3. A double pole fused spur having contact separation of at least 3mm in all pole must be used and fitted with a 3A fuse.
4. This fan is double insulated and does not require an earth connection.
5. The fan should not be accessible to a person using either the shower or the bath.

OVER-HEATING PROTECTION

The fan motor is fitted with Thermal Overload Protection. This is a one-shot thermal fuse. In the event of a fault condition the fan will be automatically switched off. If this occurs isolate the fan, and call your service engineer.

SERVICING AND MAINTENANCE.

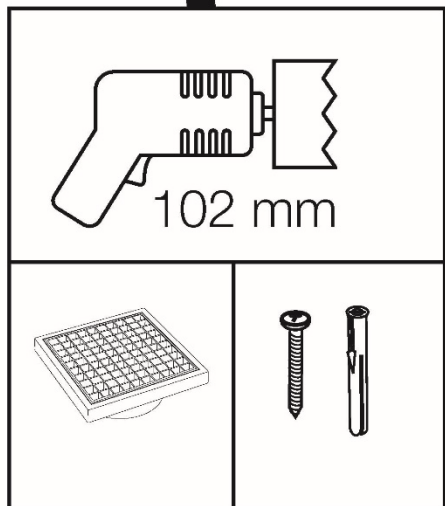
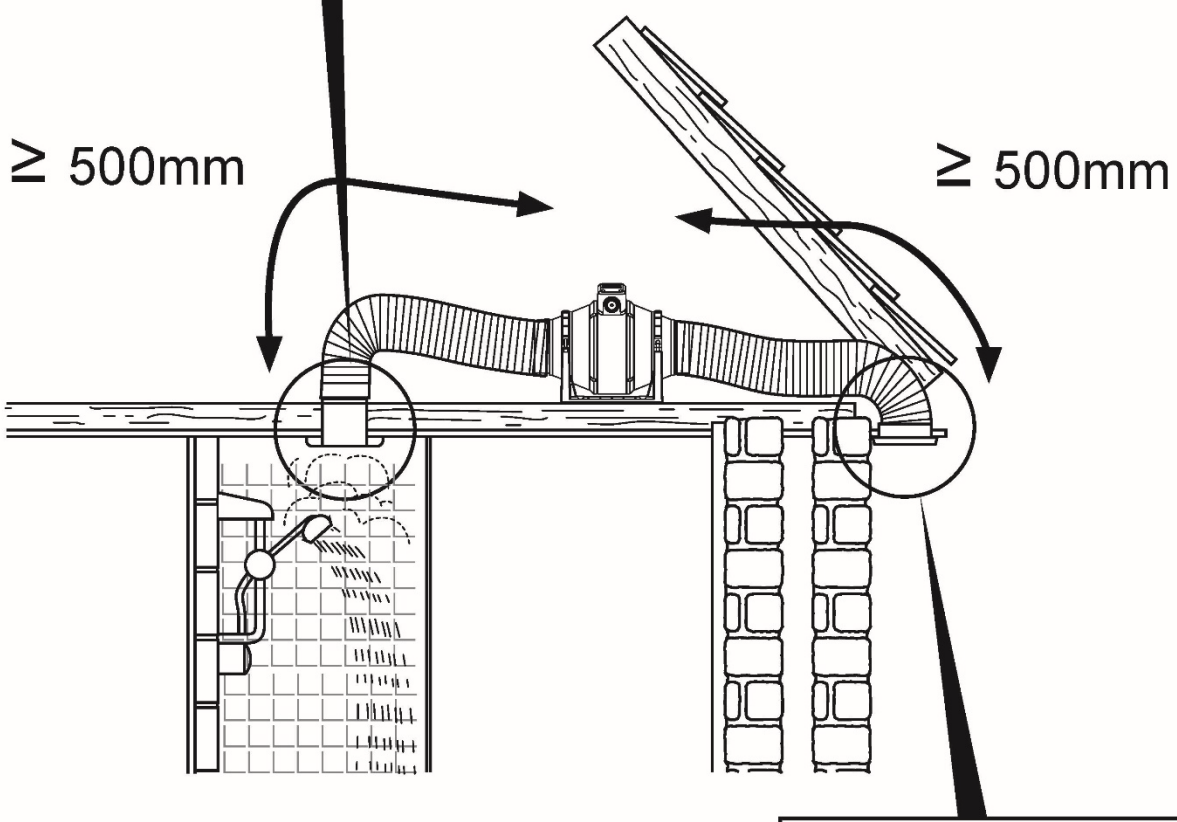
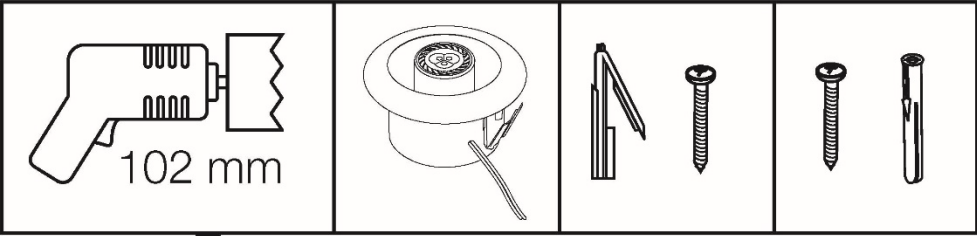


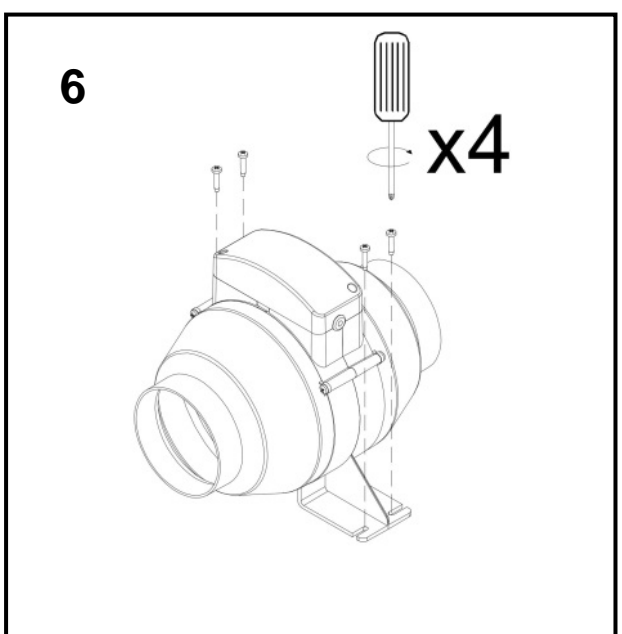
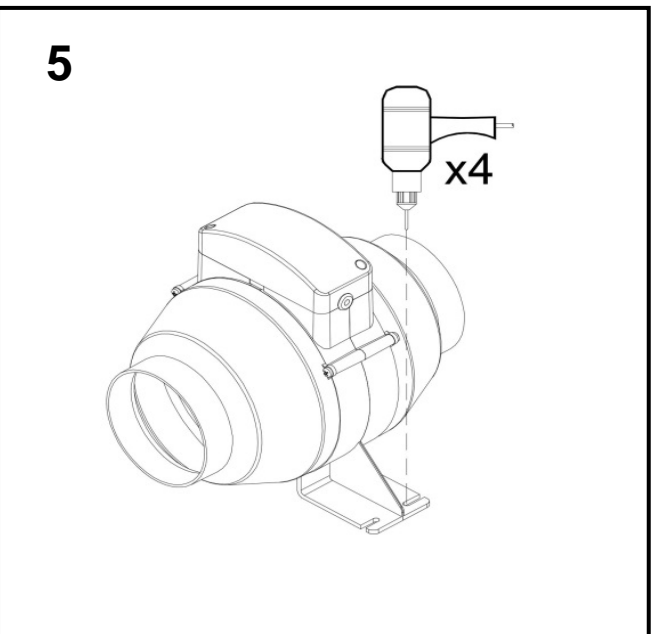
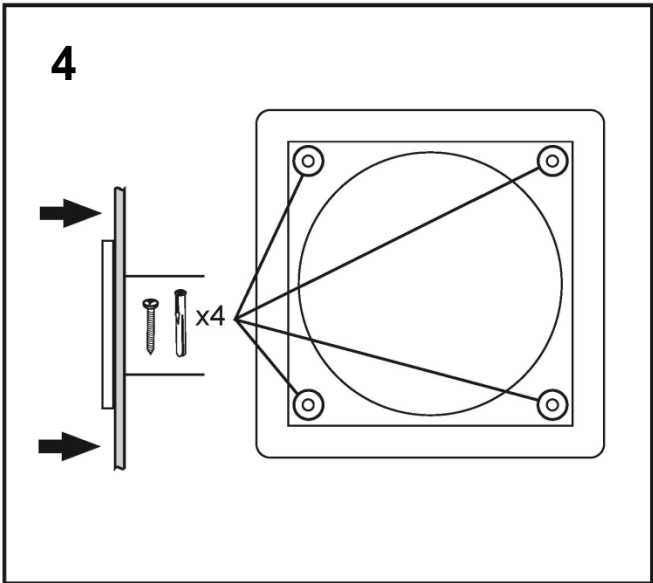
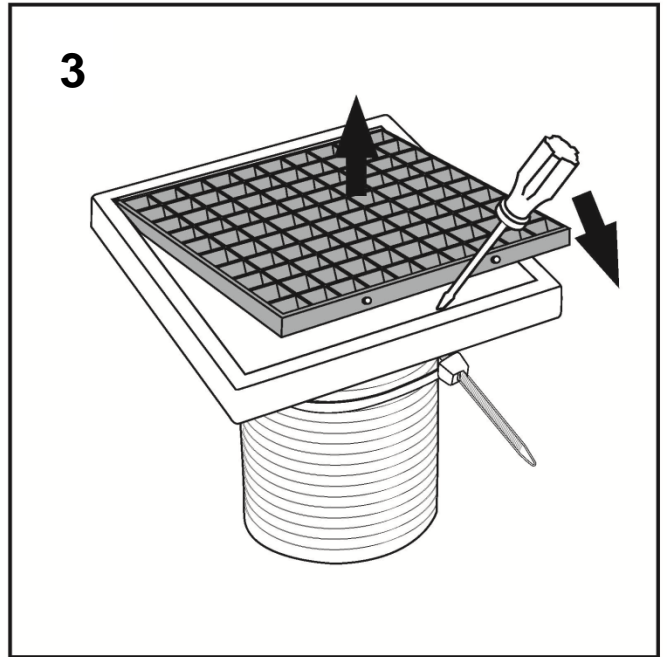
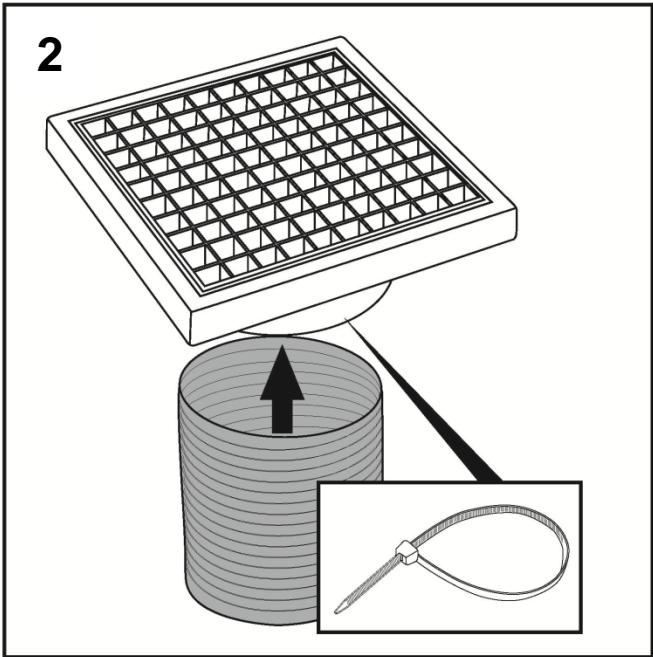
WARNING: THE FAN AND ANCILLARY CONTROL EQUIPMENT MUST BE ISOLATED FROM THE POWER SUPPLY DURING MAINTENANCE.

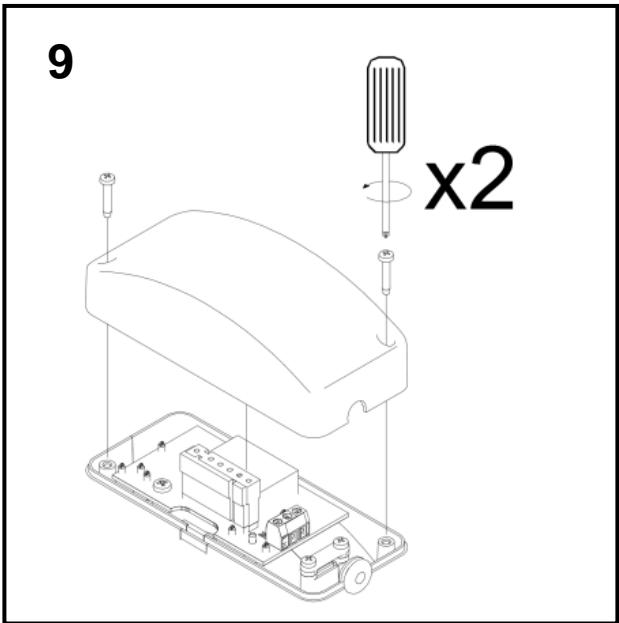
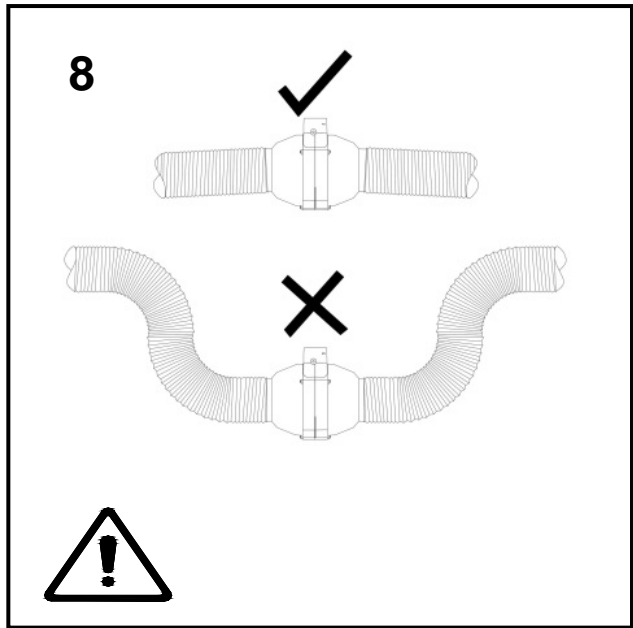
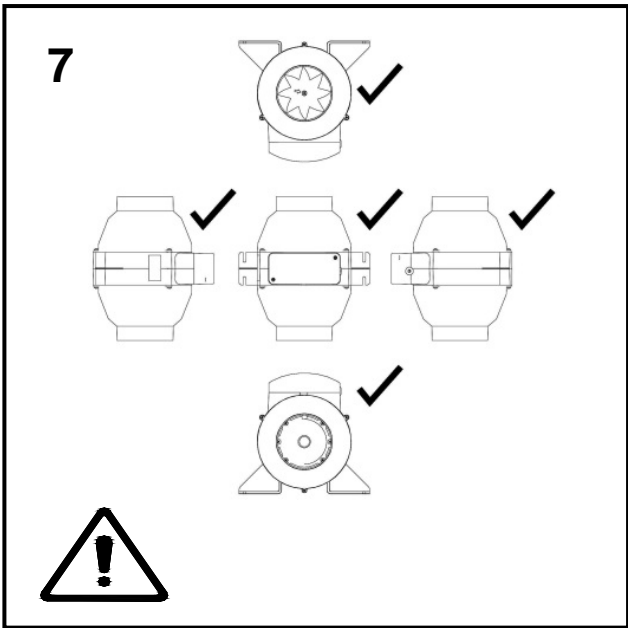
At intervals appropriate to the installation, the fan should be inspected and cleaned to ensure there is no build-up of dirt or other deposits.

The UMD In-Line fan has sealed for life bearings, which do not require lubrication

1



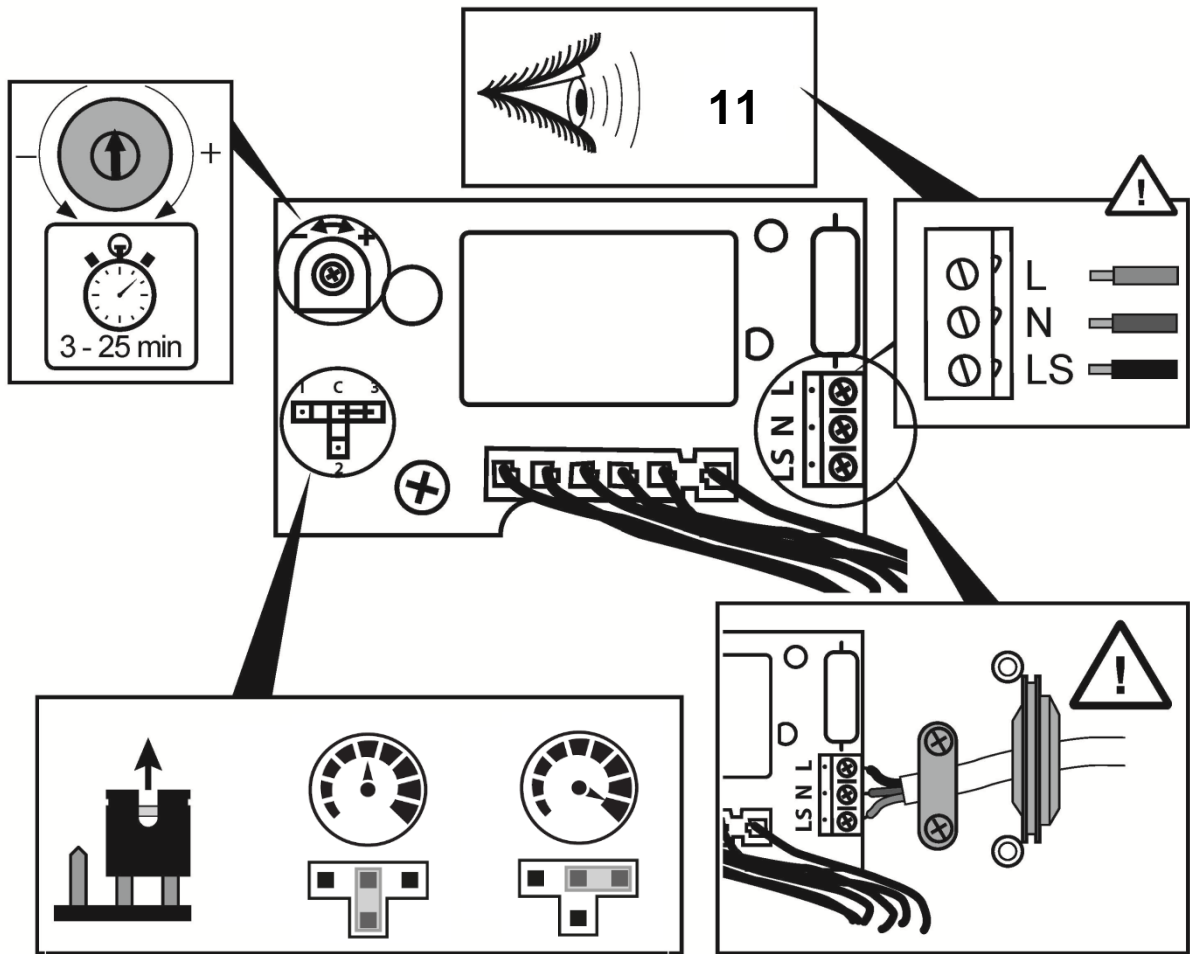




10



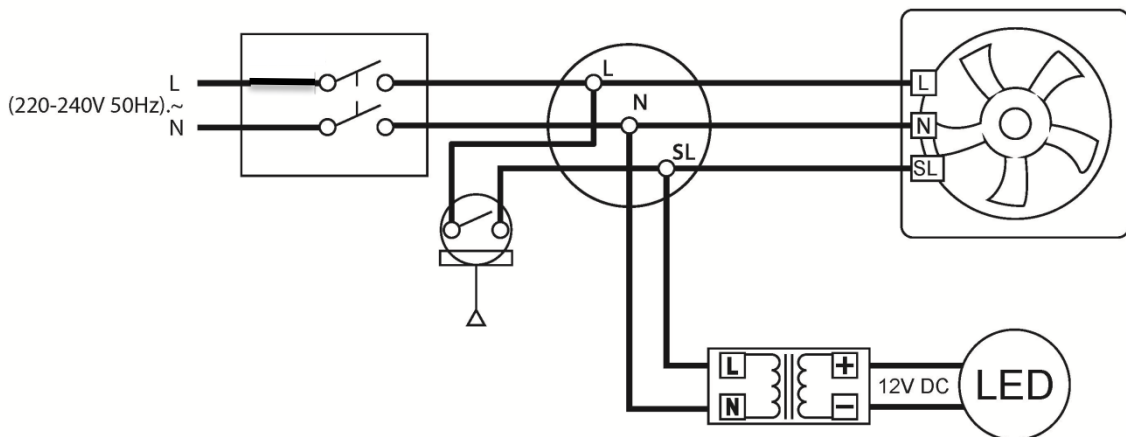
TIMER MODELS WITH THREE WIRE CONNECTIONS



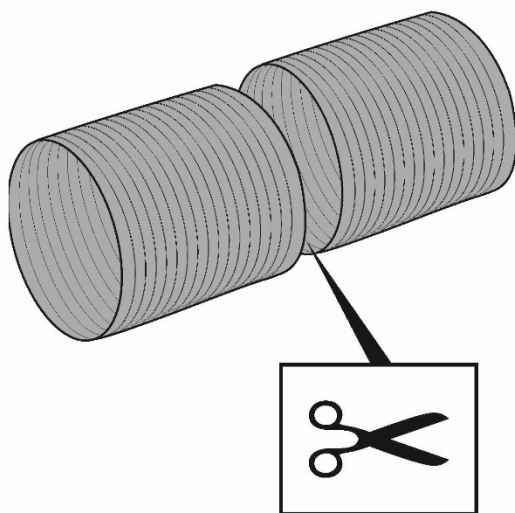
11



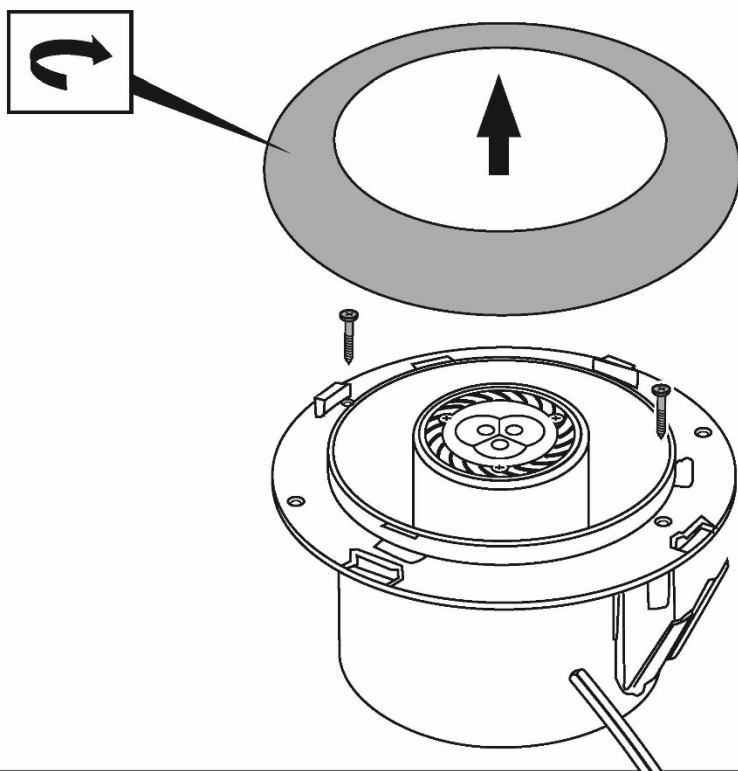
WIRING FOR TIMER FANS



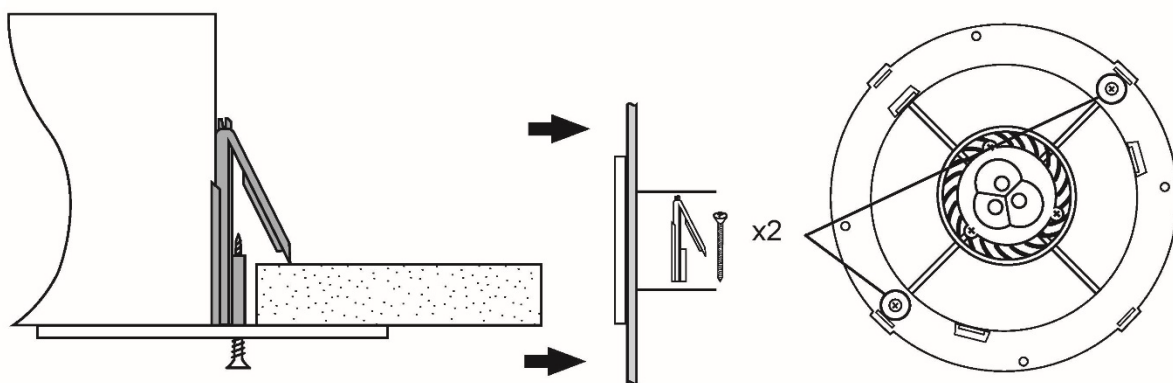
12



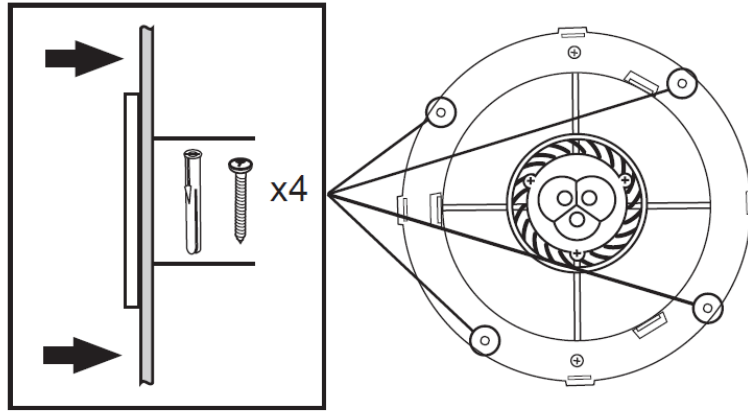
13



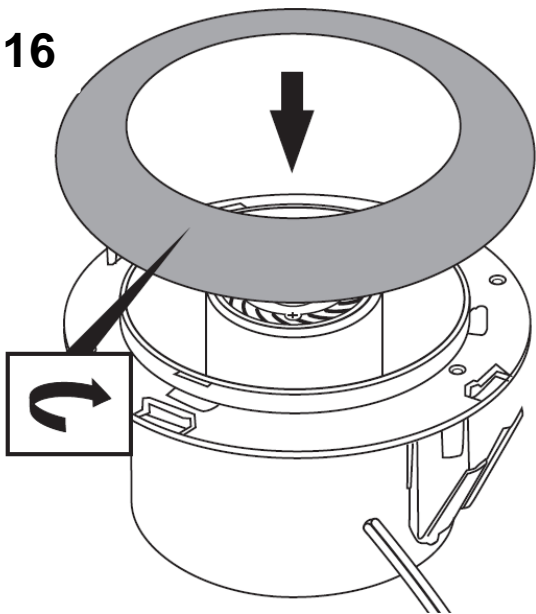
14



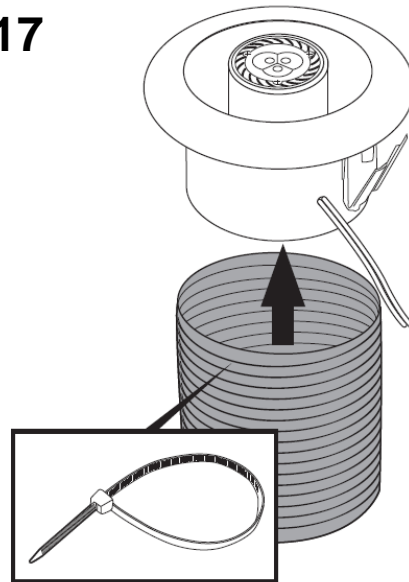
15



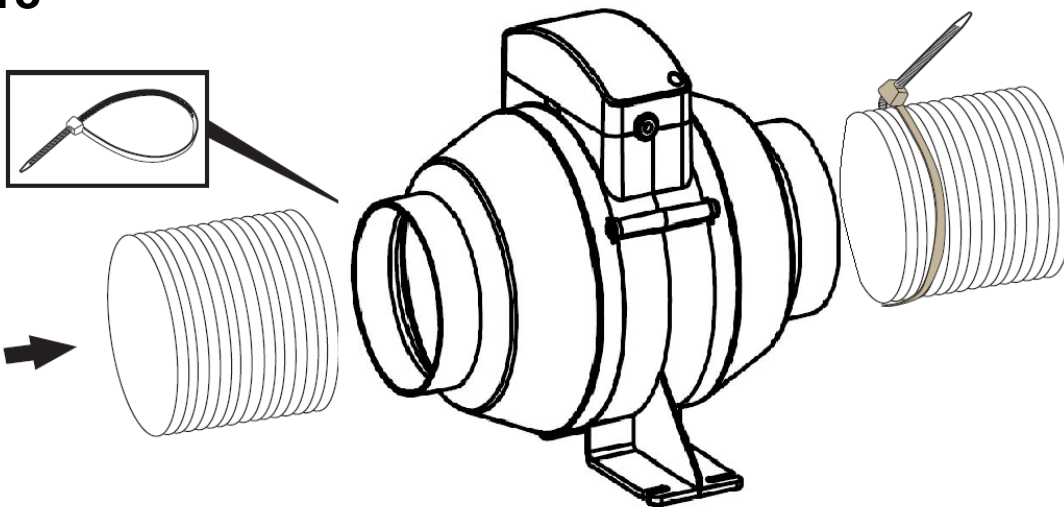
16



17



18

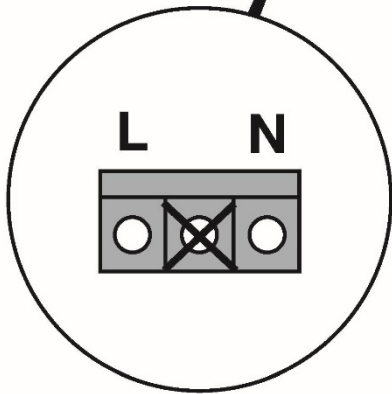
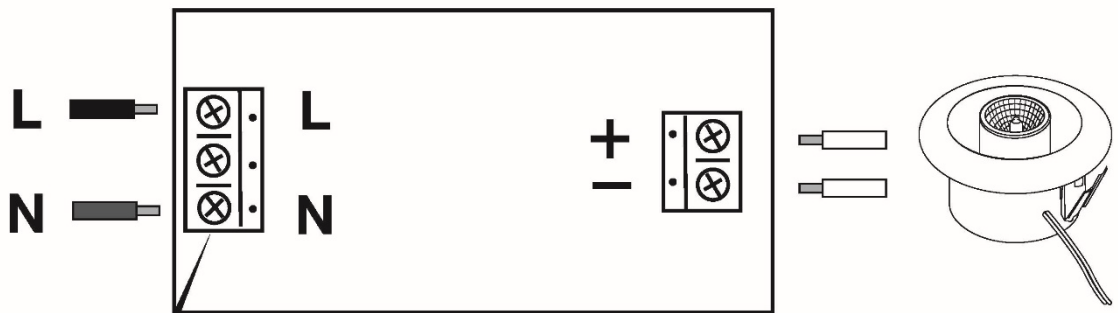


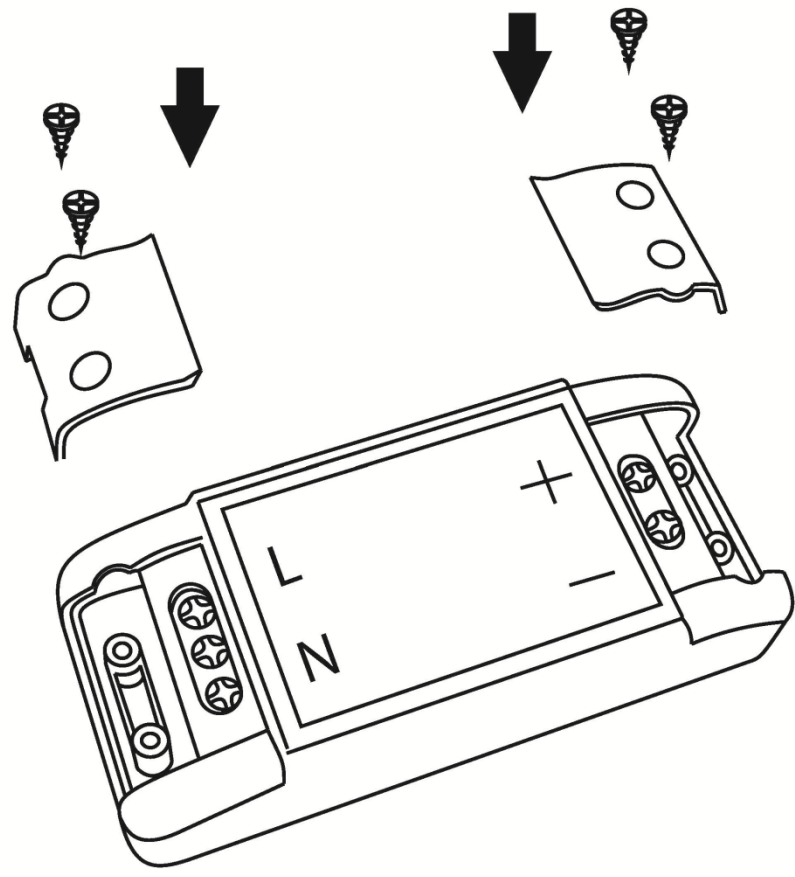
19

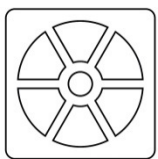


(220-240V 50HZ)~

12V DC







**NATIONAL
VENTILATION**



National Ventilation
Stathe Road
Burrowbridge
Somerset
TA7 0RY

Website: www.nationalventilation.co.uk
email: info@nvagroup.co.uk
Sales and technical hotline: 01823 690290