

**NATIONAL  
VENTILATION**

Manufacturers & suppliers  
of  **monsoon** products

# UMD - Pro Series

Domestic mixed flow fan



- High extraction rate 300 - 980m<sup>3</sup>/h
- Aerodynamic case and diffuser for powerful pressure at low noise
- High-efficient three speed ball bearing motor with a 40,000 hour service life
- Complete with mounting plate, can be mounted at any angle
- Suitable for mounting in parallel or in series
- Quick release impeller and motor block, easy maintenance

**Call now to find out more: 01823 690 290**

[www.nationalventilation.co.uk](http://www.nationalventilation.co.uk) Email: [info@nvagroup.co.uk](mailto:info@nvagroup.co.uk)

| CODE     | DESCRIPTION  |
|----------|--|
| UMD100SX | 100mm Mixed Flow Standard Fan (300m <sup>3</sup> /h) |
| UMD100TX | 100mm Mixed Flow Timer Fan (300m <sup>3</sup> /h)    |
| UMD125SX | 125mm Standard In-line Fan (324m <sup>3</sup> /h)    |
| UMD125TX | 125mm Timer In-line Fan (324m <sup>3</sup> /h)       |
| UMD150SX | 150mm Standard In-line Fan (576m <sup>3</sup> /h)    |
| UMD150TX | 150mm Timer In-line Fan (576m <sup>3</sup> /h)       |

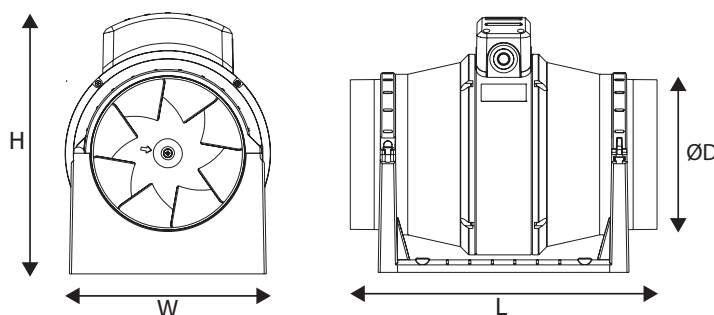
The Monsoon UMD Pro Series is specially designed with an optimised case and an aerodynamic impeller, ensuring the best combination of high air capacity, powerful pressure and low noise level. Due to the high-efficiency motor the fan has low energy demand but excellent aerodynamic performance. The compact size and high performance makes this product a really revolutionary fan suitable for various air handling systems applied in residential and commercial premises.

#### Technical data

|                             | UMD100 PRO |      | UMD125 PRO |      | UMD150 PRO |      |
|-----------------------------|------------|------|------------|------|------------|------|
|                             | LOW        | HIGH | LOW        | HIGH | LOW        | HIGH |
| Power (W)                   | 23         | 25   | 30         | 20   | 40         | 50   |
| Current (A)                 | 0.1        | 0.11 | 0.1        | 0.12 | 0.17       | 0.21 |
| Airflow (m <sup>3</sup> /h) | 201        | 300  | 197        | 324  | 381        | 576  |
| Sound @ 3m dB(A)            | 18         | 24   | 19         | 27   | 31         | 37   |
| Max temperature             | 60         | 60   | 60         | 60   | 60         | 60   |
| IP rating                   | IP44       | IP44 | IP44       | IP44 | IP44       | IP44 |

#### Dimensions (mm)

| MODEL      | H   | W   | L   | ØD  |
|------------|-----|-----|-----|-----|
| UMD100 Pro | 220 | 178 | 298 | 97  |
| UMD125 Pro | 220 | 178 | 259 | 122 |
| UMD150 Pro | 256 | 200 | 350 | 147 |

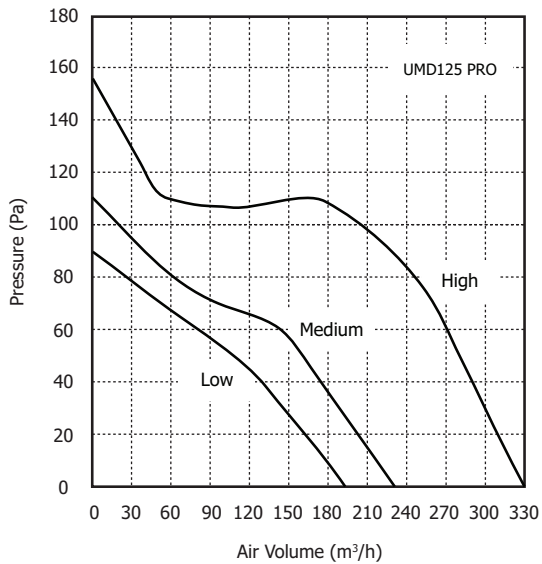
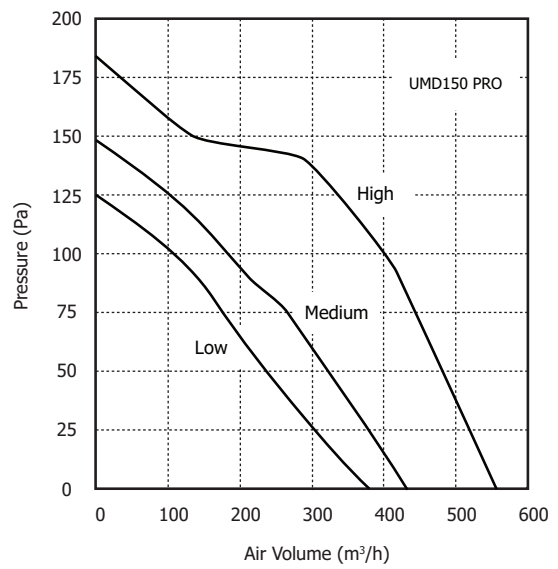
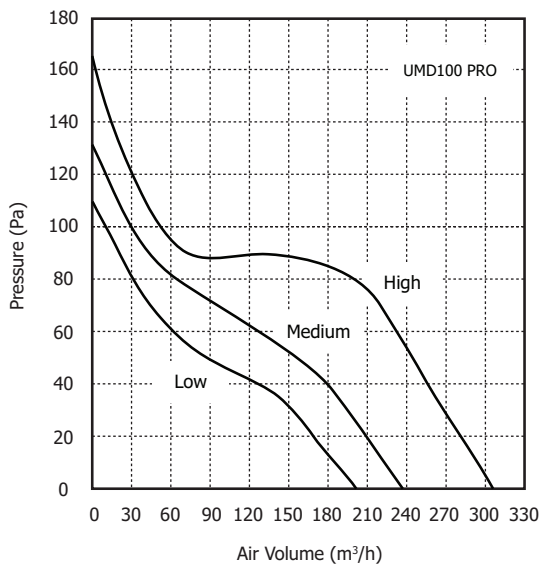


**Call now to find out more: 01823 690 290**

[www.nationalventilation.co.uk](http://www.nationalventilation.co.uk) Email: [info@nvagroup.co.uk](mailto:info@nvagroup.co.uk)



## Performance



**Call now to find out more: 01823 690 290**

[www.nationalventilation.co.uk](http://www.nationalventilation.co.uk) Email: [info@nvagroup.co.uk](mailto:info@nvagroup.co.uk)