



OA Long Lasting Domestic Axial Fans

OA 10 A SUPER
OA 12 A SUPER
OA 15 A SUPER

- with automatic shutter

OA 10 AM SUPER
OA 12 AM SUPER
OA 15 AM SUPER

- with shutter and pull cord switch

Features Include:

- very silent: ball bearing motor
- long lasting
- wall mounting
- window mounting with suitable OW-OKS kit (optional)

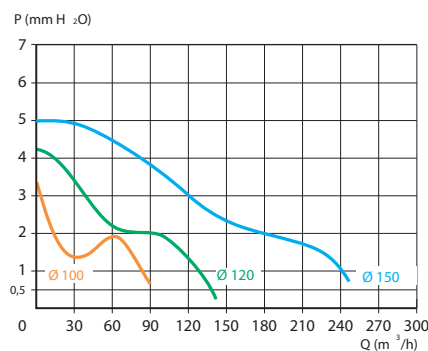


Modular Components (optionals)

OA 10 A SUPER - OA 12 A SUPER - OA 15 A SUPER

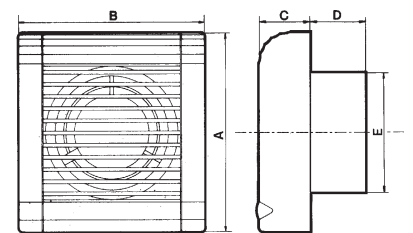
- OTIMER Electronic timer - to install inside the appliance
- OS SC * Speed controller
- OS SCS * Electronic speed controller
- OS TS Time switch
- OS TSD Digital time switch
- OS SMOKE Air Quality Sensor
- OS IR Infrared motion sensor
- OS HU Humidistat

Curves



Dimensions

| Type | A | B | C | D | E |
|----------|-----|-----|----|----|-----|
| Ø 100 mm | 164 | 154 | 42 | 46 | 98 |
| Ø 125 mm | 184 | 174 | 42 | 46 | 118 |
| Ø 150 mm | 230 | 200 | 52 | 63 | 148 |



Technical data

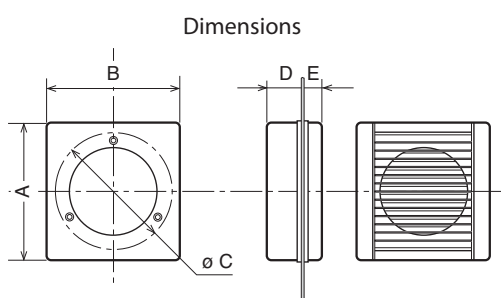
| Art | OA 10 A SUPER | OA 12 A SUPER | OA 15 A SUPER |
|--|----------------------|----------------------|----------------------|
| Ducting diameter mm/" | 100/4" | 120/5" | 150/6" |
| Duty at free discharge m ³ /h | 90 | 140 | 250 |
| Nominal air flow pressure mm H ₂ O | 0,65 | 0,30 | 0,80 |
| Max pressure (m ³ /h=0) mm H ₂ O | 3,4 | 4,3 | 5,1 |
| Voltage at 50 Hz (*) | 230V~ | 230V~ | 230V~ |
| Pull card switch | OA 10 AM SUPER | OA 12 AM SUPER | OA 15 AM SUPER |
| Power absorbed W | 15 (OA 10 A SUPER) | 18 (OA 12 A SUPER) | 28 (OA 15 A SUPER) |
| | 11 (OA 10 AM SUPER) | 15 (OA 12 AM SUPER) | 25 (OA 15 AM SUPER) |
| Sound pressure Level at 3 m dB (A) | 38 | 41 | 45 |
| Certification | CE | CE | CE |
| Approvals | Ⓜ | Ⓜ | Ⓜ |
| Insulation class | II | II | II |
| Protection | ⚠ | ⚠ | ⚠ |
| Max running temperature | 40°C | 40°C | 40°C |
| Weight kg | 0,65 | 0,80 | 1,11 |

Window Fixing Kit For OA Fans

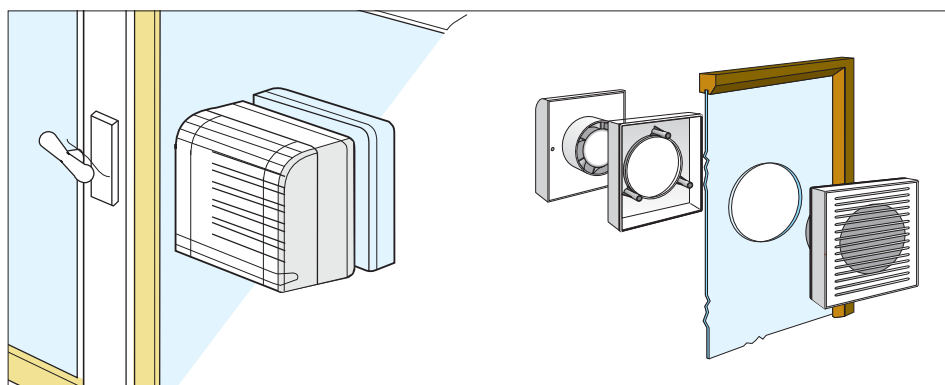
OW 10 - to suit OA10A

OW 12 - to suit OA12A

OW 15 - to suit OA15A



| CODE | A | B | C | D | E |
|-------|-----|-----|----------|------|------|
| OW 10 | 164 | 154 | 128 ±135 | 37 | 25 |
| OW 12 | 184 | 174 | 155 ±162 | 37 | 25 |
| OW 15 | 230 | 200 | 184 ±192 | 50,5 | 28,5 |



• Window mounting

For windows having 5 mm max. glass thickness.
For 10 to 20 mm glass thickness, screw kit included.

Technical data

| CODE | OW 10 | OW 12 | OW 15 |
|--|----------|----------|----------|
| Window kit for axial fans Ø mm: | 100 | 120 | 150 |
| Ducting diameter mm | 128 ±135 | 155 ±162 | 184 ±192 |
| Duty at free discharge m ³ /h with suitable models | 70 | 105 | 200 |
| Sound pressure level at 3 m distance with suitable models dB (A) | 38 | 41 | 45 |
| Certification (*) | CE | CE | CE |
| Insulation class with suitable fan | II | II | II |
| Protection with suitable fan | △ | △ | △ |
| Weight kg | 0,24 | 0,29 | 0,44 |

Wall Fixing Kits

OK 10 - to suit OA10A

OK 12 - to suit OA12A

OK 15 - to suit OA15A

Wall Kit includes a wall sleeve and a fixed external grille.