

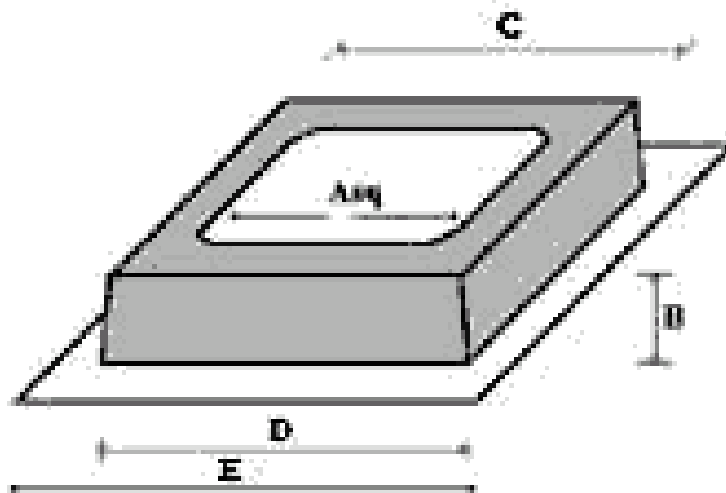
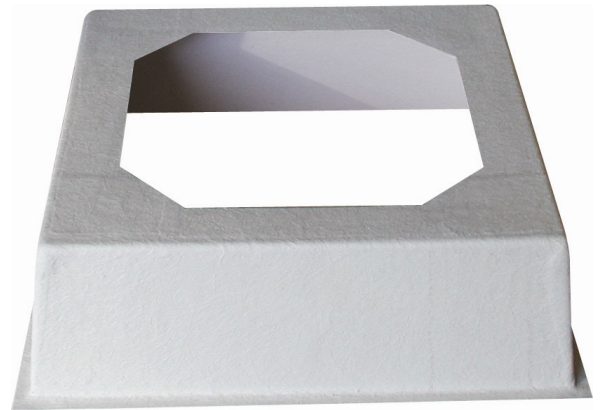


Purlin Box

Manufactured in white glass reinforced plastic with a smooth internal surface, Monsoon purlin boxes are lightweight, corrosion resistant and thermally efficient.

In profiled roof installations the units provide an efficient closure trim to cut edges around the aperture.

Designed specifically to provide load bearing support for roof mounted units, GRP support boxes may be installed in both pitched and flat roof applications.



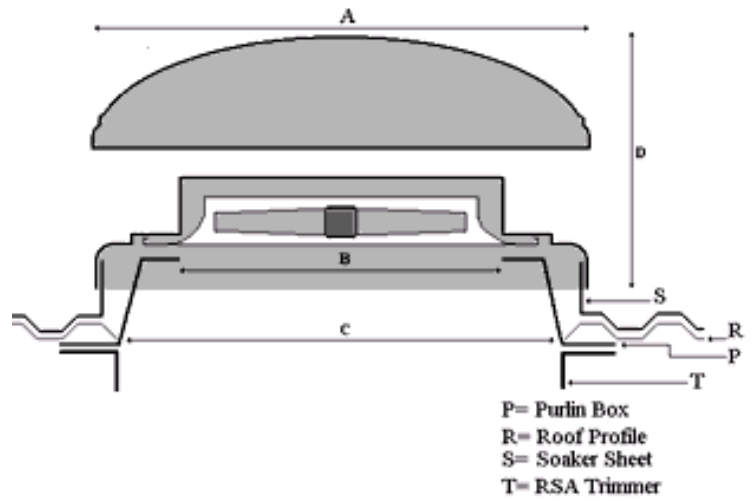
*ap = Nominal aperture size, may be adapted to suit any specified fan unit.

Unit Ref	'A' Top ap*	'B' Height	'C' External	'D' Base ap*	'E' o/all base
PB 200/250	300	225	425	480	580
PB 300/315	350	220	445	515	615
PB 350	400	240	625	680	780
PB 400/450	510	240	730	780	880
PB 500/560	620	250	865	910	1050
PB 630/710	780	260	900	950	1080
PB 800	910	280	1090	1150	1270
PB 1000	1140	285	1345	1390	1510



Purlin Box

- A = Cowl Base Sq :
- B = Purlin Box / Fan Aperture :
- C = Purlin Box / Roof Aperture Sq
- D = Unit Height :
- E = Weatherskirt Base Sq :
- F = Weatherskirt Downstand.



UNIT REF	A	B	C	D	E	F	Weight Kg
RC 250	490	310	480	270	460/490	85	4.25
RC 315	555	350	515	340	520/555	95	6.5
RC 350	675	400	680	380	660/695	100	8.5
RC 400/450	765	510	780	460	755/795	100	12
RC 500/560	995	620	910	550	920/960	100	21
RC 630/710	1115	780	950	650	1010/1055	100	27
RC 800	1410	910	1150	750	1125/1170	100	34
RC 1000	1630	1110	1390	900	1370/1405	100	45

