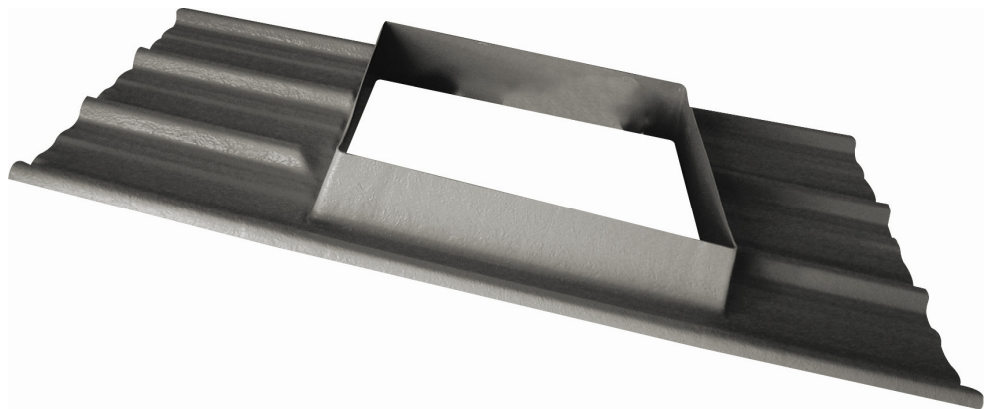




## SOAKER SHEETS

In order to allow complete freedom in the choice of roofing applications for Monsoon roof terminals, an extensive range of purpose made Glass fibre roof soaker sheets are available.



There is virtually no roofing profile in Europe for which we cannot produce a suitable soaker sheet.

Typical profiles are listed, if specific requirements are not shown; please contact our sales team on 01823 690290 for further information.

In addition to the full Monsoon range of roof terminals, roof soaker sheets are available to suit ANY range of roof unit currently available.

All Monsoon soaker sheets are manufactured to order, which means that non-standard positions, roof angles, insulation etc are readily available.

Added to our comprehensive colour availability, free profile identification, sourcing, and technical support, our aim to provide total customer support cannot be beaten.

Roof soaker sheets are designed to provide total weather protection. For structural support, Monsoon purlin box/kerb support units should be specified.

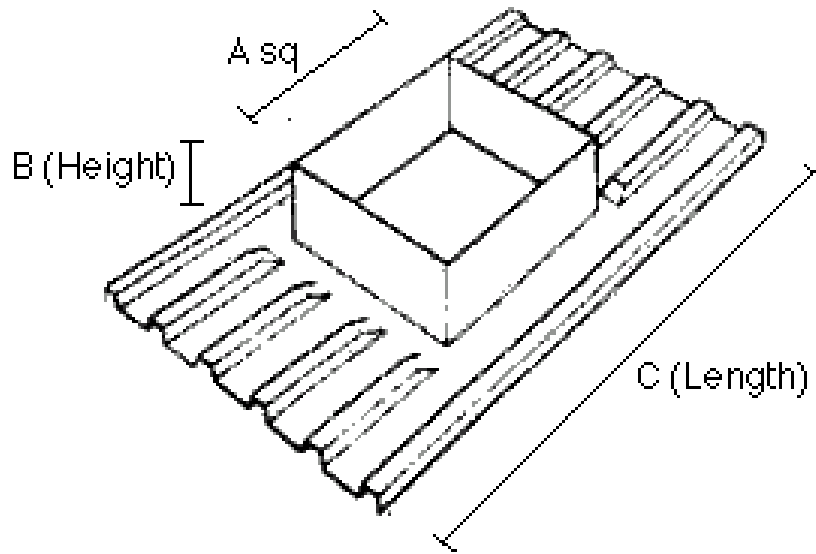
All roof apertures \ Soaker sheets must always be independently structurally supported

### **SPECIFICATION:**

Nominal 2mm thickness glass reinforced plastic, 2-piece post moulded 1800mm "patch" soaker sheet, gel coat surface pigmented to standard B.S 5252 colour. Up stand to suit Monsoon roof mounted unit.



## SOAKER SHEETS



UNIT REF	'A' aperture Sq mm	'B' upstand hgt mm	'C' Length mm
SS 200/250	440	150	1800
SS 300/315	510	150	1800
SS 350	640	150	1800
SS 400/450	750	150	1800
SS 500/560	890	150	1800
SS 630/710	1000	150	1800
SS 800	1130	150	1800
SS 1000	1370	150	1800

