



Roof Terminal

Manufactured incorporating maintenance free, UV stabilised fire retardant glass reinforced plastic in virtually any colour, Monsoon roof terminals represent the very latest in roof ventilator manufacturing design.

Standard Roof terminals are supplied with optional wire guard, shutters, purlin boxes and soaker sheets if required. The high gloss Grp producing a smooth, low profile, visually pleasing terminal.

Designed to compliment the majority of plate axial from 200mm to 1000mm currently available, all units are available with or without colour matched backdraught shutters, and can be supplied with an extensive range of dedicated accessories and roofing components.

The RCF is supplied in two parts; a plate axial fan and the roof terminal, this is for ease of handling and shipping.

The plate axial fan simply bolts to the underneath of the roof terminal and then mounts onto the purlin box (or support).

Standard Colours:

(Roof Terminals & Soaker sheets)

- B.S 00-A-05 Silver Grey
- B.S 00-A-05 Goosewing Grey
- B.S 18-B-25 Merlin Grey
- B.S 10-B-19 Mushroom
- B.S 08-B-29 Dark Brown
- B.S 12-B-27 Olive Green
- B.S 12-B-21 Mooreland Green

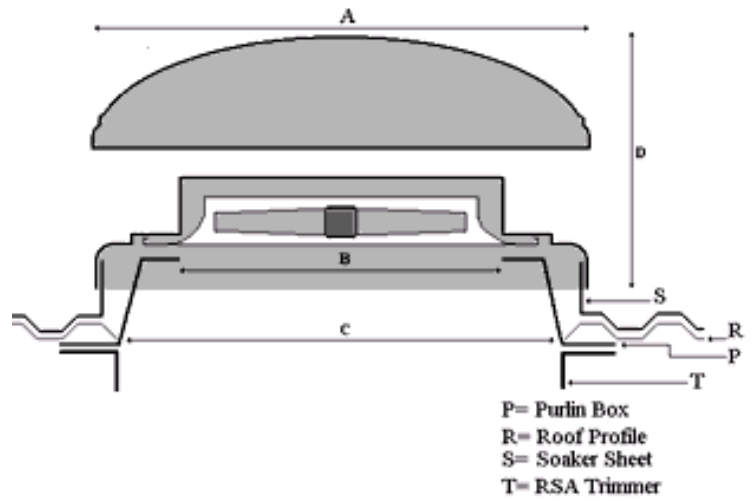
Units may be manufactured to any available colour to suit your requirements at a nominal additional cost.





Roof Terminal

- A = Cowl Base Sq :
- B = Purlin Box / Fan Aperture :
- C = Purlin Box / Roof Aperture Sq
- D = Unit Height :
- E = Weatherskirt Base Sq :
- F = Weatherskirt Downstand.



UNIT REF	A	B	C	D	E	F	Weight Kg
RC 250	490	310	480	270	460/490	85	4.25
RC 315	555	350	515	340	520/555	95	6.5
RC 350	675	400	680	380	660/695	100	8.5
RC 400/450	765	510	780	460	755/795	100	12
RC 500/560	995	620	910	550	920/960	100	21
RC 630/710	1115	780	950	650	1010/1055	100	27
RC 800	1410	910	1150	750	1125/1170	100	34
RC 1000	1630	1110	1390	900	1370/1405	100	45

