



TI - Re-circulation Fan

Features Include:

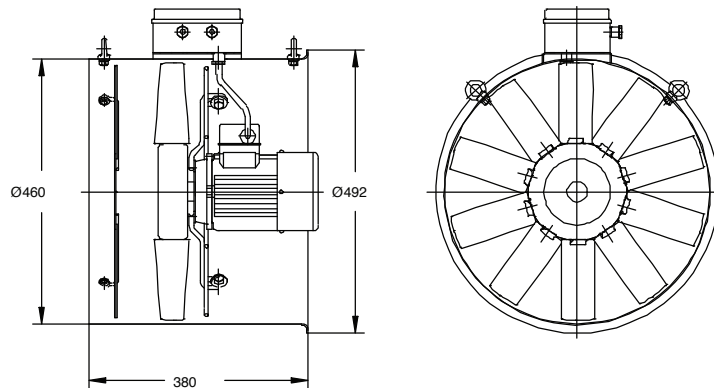
- Constructed completely from Stainless Steel
- Anti-corrosive polyamide impeller
- In-let and Out-let protection guards
- Externally mounted IP-66 terminal box
- Standard 240v 50hz motors IP-55 protection



Technical characteristics

Model	Velocity (r/min)	Max. admissible current (A) 230V	Installed power (kW)	Max. airflow (m ³ /h)	Sound level pressure dB(A)	Approx. weight Kg.
TI-45-4M/L	1355	1,75	0,25	5600	63	12
TI-45-6M/H	950	1,50	0,25	5200	57	14

Dimensions mm



Characteristics Curves

Q = Airflow in m³/h. and m³/s.

Pe = Static pressure in mm.c.a. and Pa.

