



## SPR SUPPORT RINGS



### Description

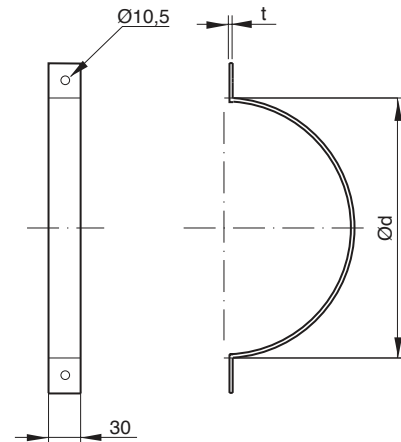
At insulated duct it is recommended that the suspension clamp is mounted inside the insulation.

### Ordering example

Product	SPR	200
Dimension Ød		

N.B. Is sold in pairs.

### Dimensions



Ød nom	t mm	m kg
80	2,00	0,07
100	2,00	0,08
125	2,00	0,10
160	2,00	0,12
200	2,00	0,14
250	2,00	0,17
315	2,00	0,21
400	2,00	0,27
500	2,00	0,33
630	2,00	0,41
800	2,00	0,51
1000	2,00	0,64
1250	2,00	0,79